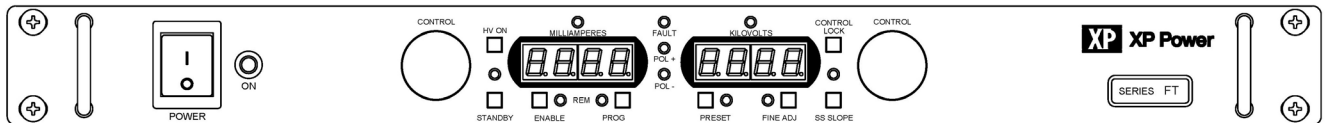


# INSTRUCTION MANUAL

## FT SERIES



**XP Power**

124 West Main Street, PO Box 317, High Bridge, NJ 08829

# TABLE OF CONTENTS

## FT SERIES

	Page
SECTION I. DATA SHEET .....	i
Warranty/User Registration Card .....	ii
Features .....	
Specifications, Models and Outline .....	
CE Declaration of Conformity (if applicable) .....	
UKCA Declaration of Conformity (if applicable) .....	
EMC Directive Addendum (if applicable) .....	
Specification Control(s) (if applicable) .....	
SECTION II. GENERAL INFORMATION .....	1
Unpacking and Inspection .....	1
Correspondence .....	1
Accessories .....	1
Safety .....	2
Equipment Maintenance .....	3
User Serviceable Components .....	3
Connections/Controls Description .....	4
Rear Panel .....	4
Front Panel .....	9
Installation and Operation .....	14
Polarity Reversal – FT 8-60kV .....	18
Polarity Reversal – FT 5 & 6 kV .....	18
Polarity Reversal – FT 1-3 kV .....	20
Front Panel Function Operation .....	22
Remote Analog Interface .....	27
Remote Serial Interface .....	33
Serial Interface Connections (RS-232/USB/Ethernet) .....	34
Serial Interface Software (Windows) .....	35
Serial Interface Command Protocol .....	40
SECTION III. SCHEMATIC AND ASSEMBLY DRAWINGS	

## LIMITED WARRANTY

XP Power LLC (“XP Power”) provides a limited warranty in lieu of all other warranties. Buyer’s exclusive remedies in the event of a defect are limited to repair, replacement, or at XP Power’s discretion, refund of the purchase price. The terms of the limited warranty and the Buyer’s remedies are described below.

XP Power warrants its standard power supplies to be free from defect in material and workmanship, and XP Power agrees to repair or replace any power supply which fails to perform in accordance with XP Power’s written specification within three years after date of shipment from XP Power.

This limited warranty shall not apply to any power supply which has been:

- (1) Repaired, worked on, or altered by persons unauthorized by XP Power, which in XP Power’s sole judgement, adversely affects the performance, stability, or reliability of the power supply.
- (2) Subject to misuse, negligence, or accident; or
- (3) Connected, installed, adjusted, or used otherwise than in accordance with instructions furnished by XP Power.

XP Power reserves the right to make any changes in design or construction of its power supply at any time, without incurring any obligation to make any change whatsoever in units previously delivered.

**LIMITATION ON REMEDIES.** Buyer’s exclusive remedy in the event of a defect in a power supply is limited to the repair or replacement of any defective power supply or to refund of the purchase price at XP Power’s sole discretion. Buyer must return the power supply to the XP Power factory, transportation prepaid by the Buyer, within the warranty period for the warranty claim to be effective. **XP Power is not liable to Buyer or to any third party for consequential or incidental damages** under any circumstances, whether due to defect in the power supply, due to delay or failure of delivery, due to a failure of the power supply to perform as specified, or for any other reason or cause. Buyer and XP Power agree that Buyer’s sole remedy and XP Power’s sole liability to Buyer is limited to repair, replacement, or refund of the purchase price of the power supply as described herein, whether Buyer’s claim arises out of contract or tort.

**DISCLAIMER OF IMPLIED WARRANTIES.** This limited warranty excludes all other warranties and is offered and accepted in lieu of any and all other warranties, whether express or implied, including without limitation the implied warranties of merchantability and fitness for a particular purpose.

The entire contract concerning warranty rights and obligations and concerning Buyer’s remedies is embodied in this writing. This writing constitutes the final expression of the parties’ agreement, and it is a complete and exclusive statement of the terms of that agreement. No statements or understanding, purporting to modify or vary the terms hereof, shall be binding and cannot be relied upon by Buyer.

## EMC Directive Addendum

### For Model: FT

Your high voltage power supply has been designed and tested to ensure compliance with the European Community's EMC directives and the UK EMC regulations, when used as described in the instruction manual. However, in regard to the remote interface cables, the following precautions must be followed in order to ensure continued compliance with EMC radiated emissions & immunity requirements, as specified in the harmonized standard EN 61000-6-4 (CISPR 11 Class A) & EN 61000-6-2 (IEC 61000-4-3, 4-4, 4-5, 4-6, & 4-11) and the UK ELECTROMAGNETIC COMPATIBILITY REGULATIONS 2016, SI 2016 NO. 1091.

***(Refer to installation drawings on Page 2.)***

1. The remote Analog, RS232 & USB interface cables must be of a shielded type with the shields and connector housings terminated at both ends to an adequate ground/common source. At the power supply end, pins 1 & 25 of J3 or its 25 pin "D" connector housing, provides a ground connection for the Analog interface cable shield. The shell of the 9 pin "D" connector housing J1, provides a ground connection for the RS232 interface cable shield, and the shell of the "USB" connector housing J2, provides a Common/Return connection for the "USB" connector interface cable shield.
2. If the power supply is provided with the Ethernet Option installed, the Ethernet interface cable should be an enhanced category 5E or better, UTP/LAN cable. This is connected to U1, the RJ45 connector of the power supply.
3. A ferrite suppressor must be placed at the power supply end of each interface cable, over the jacket & shield for Analog, RS232 or USB & over the jacket for Ethernet.

These suppressors must be located within 3" of the terminations at the power supply end of the cables (see drawing on sheet 2). The ferrite suppressors should each have the following properties:

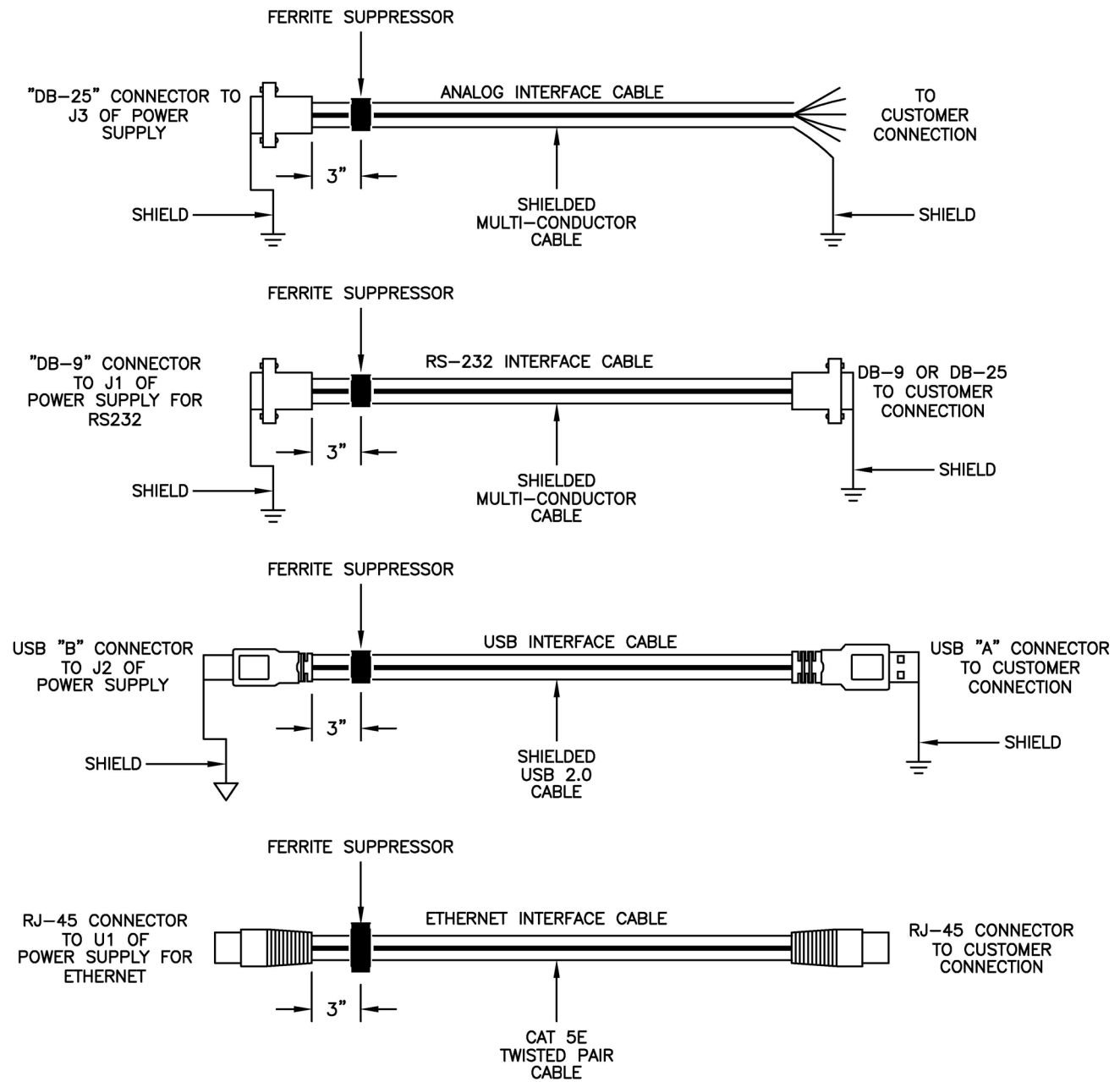
A) Analog, RS232 & USB - impedance should be greater than 200 ohms at 100 MHz.

B) Ethernet - impedance should be greater than 5000 ohms at 100 MHz.

4. Any combination of RS232, USB, Analog or Ethernet connections made to the power supply will meet the EMC radiated emissions & immunity requirements specified above, when the recommended ferrites are used & installed as described.

For your convenience we have made available a kit (SPK-CE-022) that contains the required ferrite suppressors. Contact your XP Power representative for further information.

If your power supply is a modified standard, and contains any additional interface connectors, each additional interface cable must follow the same precautions as stated above. Contact your XP Power representative for further information.



## SECTION II - GENERAL INFORMATION

### UNPACKING AND INSPECTION

First inspect package exterior for evidence of rough handling in transit. If none, proceed to unpack ... carefully. After removing the supply from its shipping container, inspect it thoroughly for damage.

**IMPORTANT!** In cases of damage due to rough handling in transit, notify the carrier immediately if damage is evident from appearance of package. Do not destroy or remove any of the packing material used in a damaged shipment. Carrier companies will usually not accept claims for damaged material unless they can inspect the damaged item and its associated packing material. Claims must be made promptly - certainly within five days of receipt of shipment.

### CORRESPONDENCE

Each XP Glassman power supply has an identification label on the chassis that bears its model and serial number. When requesting engineering or applications information, reference should be made to this model and serial number. If specific components or circuit sections are involved in the inquiry, also indicate the component symbol number(s) shown on the applicable schematic diagram.

XP GLASSMAN HIGH VOLTAGE  
PO Box 317  
124 West Main Street  
High Bridge, NJ 08829

TEL. 908-638-3800

FAX. 908-638-3700

E-MAIL [SupportGlassmanHV@xppower.com](mailto:SupportGlassmanHV@xppower.com)  
[www.xppower.com](http://www.xppower.com)

### ACCESSORIES (provided)

QTY	ITEM
1	HV Output cable
1	AC input line cord for models without AC selector switch
2	AC input line cords for units with switchable input
1	USB A/B interconnect cable, 10'.
1	RS232 interconnect cable, null modem, 10'.
1	Subminiature "D" mating connector kit, 25 pin female.



This symbol, wherever it appears on the supply, alerts you to the presence of **uninsulated dangerous voltages** - voltages that may be sufficient to constitute a risk of electrical shock.



This symbol, wherever it appears on the supply, alerts you to **important operating and maintenance instructions** in the accompanying literature. **Read the manual.**

## SAFETY

### TERMS IN THIS MANUAL

**CAUTION** statements identify conditions or practices that could result in damage to the equipment or other property.

**WARNING!** statements identify conditions or practices that could result in injury or loss of life.

### **WARNING!**

If this equipment is used in a manner not specified herein, the protection provided by the equipment may be impaired.

To avoid the risk of shock or fire do not attempt to service the supply beyond that described in these instructions.

To avoid the risk of shock and personal injury, do not remove the product covers while the unit is operating or connected to the AC mains. **Wait at least 3 minutes** after disconnecting the AC mains power before removing any covers or panels. Wait at least 1 minute before disconnecting the HV cable.

Upon loss of protective ground connection(s), all accessible conductive parts can render an electric shock.

Use the NRTL listed power cord provided by the manufacturer or use only a NRTL listed power cord with a separable mains plug rated greater than the input current rating of the unit. For CE and UKCA compliant supplies used in Europe or the UK, the protective conductor/ground wire on the cord must be green/yellow. Use only a cord in good condition.

To avoid fire hazard, use only fuses of the correct type, voltage rating, and current rating as specified.

To avoid explosion, do not operate this product in an explosive atmosphere.

**If liquid is spilled on the supply, shut it off immediately and disconnect it from the AC mains.**

**Always maintain adequate supply ventilation. All ventilation openings must remain free from obstruction.**

## **Equipment Maintenance**

There is no regular maintenance required to be performed on this equipment.

## **User Serviceable Components**

### FT Model

**Designator:** F1 & F2

**Located:** On rear panel.

**XP Glassman P/N:** F005-12-A

**Description:** Fuse, cartridge, 12A, 250V, SB, ¼" x 1 ¼"

**WARNING! BEFORE REPLACING ANY FUSES THE POWER SUPPLY MUST BE DISCONNECTED FROM THE MAINS.**

**TO DISCONNECT THE POWER SUPPLY FROM THE MAINS, THE POWER SUPPLY CORD MUST BE UNPLUGGED.**

**There are no other user-serviceable components. Return supply to factory for replacement of other components by qualified technicians.**

*(For instructions on changing the polarity in reverse polarity models see Polarity Reversal Sections elsewhere in this manual).*



## CONNECTIONS AND CONTROLS

### REAR PANEL ELEMENTS

#### **J4** **AC POWER INPUT**

FT units operate from 90VAC to 230 VAC PFC input.

**WARNING! The ground (center) terminal of this input should be connected to the AC outlet ground or other good earth ground.**

For FT units, J4 is an IEC C20 receptacle. A mating line cord is provided with a plug for a NEMA 6-20P grounded outlet. In other regions, the appropriate plug or IEC cord set should be substituted.

If the plug is removed from the cord provided, the wires should be connected as follows:

Green/Yellow - Ground

Brown - Line

Blue - Line or Neutral

Shield - Ground (if applicable)

Check to see that your input line voltage matches the rating of the supply before applying power.

**For CE and UKCA compliant supplies used in Europe or the UK:**

*Please refer to the Declaration of Conformity located elsewhere in this manual for installation environment conditions required to conform to 2014/35/EU (Low Voltage Directive) and The Electrical Equipment (Safety) Regulations 2016, SI 2016 No. 1101.*

#### **POWER ON INDICATOR**

**WARNING! When this lamp is illuminated, power supply is turned on. Do not apply or remove any connections to this unit until AC power is removed and the DC output has discharged.**

## **JHV1 HIGH VOLTAGE OUTPUT**

**WARNING! Do not insert or remove the output cable from this connector until AC power is off and the DC output has discharged.**

This is the high voltage output of the supply (*see INTERFACE DIAGRAM Figures 11 and 12*). Engage the connector as follows:

FT 8-60kV UNITS: Insert the high voltage cable provided into the receptacle. Screw the threaded barrel onto the receptacle.

FT 1-6kV UNITS: Align plug, push in, and rotate 1/2 turn to engage.

## **E1 GROUND STUD**

**WARNING! Do not operate unit without good external earth ground connected to this point.**

This is the main grounding terminal for the supply and **must** be connected to a good external earth GROUND. This terminal should also be used for the HV load return. (*See INTERFACE DIAGRAM Figures 11 and 12*).

## **F1 & F2 AC MAINS FUSES**

Replace only with correct size and rating. See User Serviceable Components section elsewhere in this manual.

## **J3 ANALOG CONTROL CONNECTOR**

**WARNING! Do not make or remove connections to this connector or any other connector until power is off and the output has discharged.**

This connector provides inputs and outputs for the analog remote control functions. For a description of each of these signals and their application (*see INTERFACE DIAGRAM Figures 1 - 12 and the remote control interface section*).

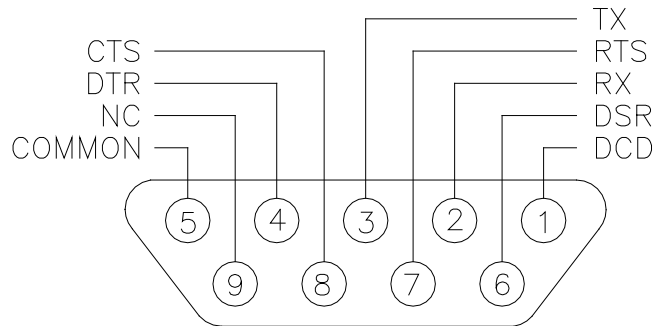
*Note: When the LOCAL/REMOTE switches are set to the REMOTE position and there are no digital computer connections, signals must be provided to the REMOTE V-PROGRAM, I-PROGRAM, & HV ENABLE inputs of J3 in order for high voltage to be generated.*

**J1 RS232 DB9 CONNECTOR**

*(See INTERFACE DIAGRAM FIG 10, Table 1, and figure below)*

**WARNING! Do not make or remove connections to this connector or any other connector until power is off and the output has discharged.**

J1 is a 9 pin female connector used to connect to a serial computer interface. A null modem RS232 cable (approx. 3m/10ft) DB9 (male) to DB9 (female) is supplied for interconnection.



**DB9 RS232 CONNECTOR**

SIGNAL NAME	DB-9 PINOUT	DB-25 EQUIV	COMMENTS (PINS REFER TO DB-9)
Data Carrier Detect (DCD)	1	8	shorted to pins 4 and 6
Receive Data (RxD)	2	3	power supply transmit line
Transmit Data (TxD)	3	2	power supply receive line
Data Terminal Ready (DTR)	4	20	shorted to pins 1 and 6
Signal Ground (GND)	5	7	signal ground
Data Set Ready (DSR)	6	6	shorted to pins 1 and 4
Request To Send (RTS)	7	4	shorted to pin 8
Clear To Send (CTS)	8	5	shorted to pin 7
Ring Indicator (RI)	9	22	not used

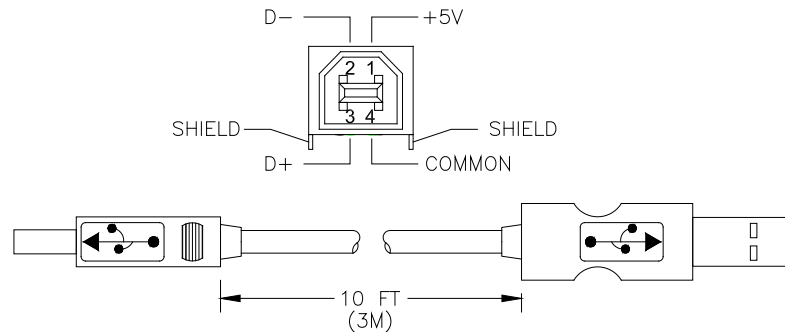
*Table 1 DB-9 Pinouts*

**J2** **USB CONNECTOR**

*(See INTERFACE DIAGRAM FIG 10, Table 2, and figure below)*

**WARNING! Do not make or remove connections to this connector or any other connector until power is off and the output has discharged.**

This serial link implements USB2.1 communication protocol. A 3m (10ft) cable is supplied with the unit for this purpose.



**USB CABLE**

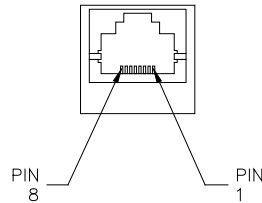
SIGNAL NAME	B PINOUT
VBUS	1
D-	2
D+	3
Ground	4
<i>Table 2 USB B Pinouts</i>	

**U1** **ETHERNET CONNECTOR OPTION**

**(See INTERFACE DIAGRAM FIG 10 and figure below)**

**WARNING! Do not make or remove connections to this connector or any other connector until power is off and the output has discharged.**

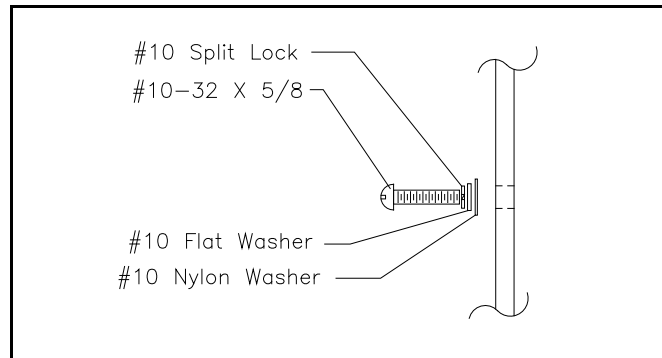
U1 is a RJ-45 connector used to connect to an Ethernet network. A standard RJ-45 plug and cat-5e cable may be used for interconnection.



**ETHERNET CONNECTOR**

## FRONT PANEL ELEMENTS

**Note: When rack mounting the supply, the use of nylon washers is recommended to protect the front panel laminate from damage. The #10 hardware shown is provided. Equivalent metric hardware may also be used.**



**Installation Hardware Detail**

### **POWER Switch**

Applies AC power to the unit when in the ON (“1”) position (as long as power is present at J4).

### **POWER Indicator**

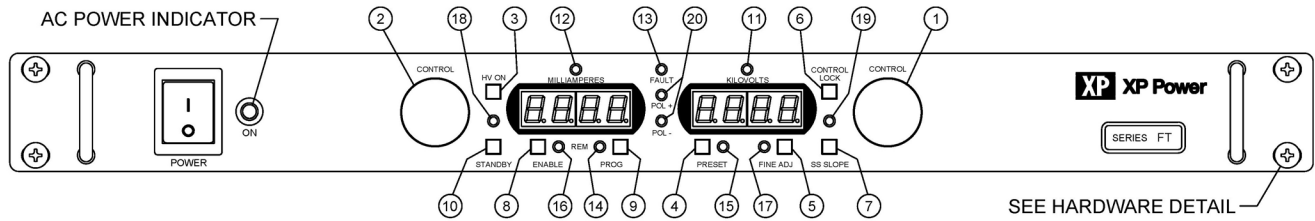
The AC POWER ON indicator lamp will illuminate when power is present and POWER switch is ON

**WARNING! Do not apply or remove any connections to this unit when power is on.**

**CONTROL, DISPLAY AND INDICATORS**

*(See Figures below)*

The description of these elements and the functions they implement is presented in Table 3.



**FT**  
**Front Panel Control, Display, and Indicators**

**Legend:** CT=Current Trip, HV=High Voltage, OT=Over Temperature, LOC = Local/Remote,  
 V=Voltage, I= Current, SS= Slow Start, POL = Polarity

**Table 3**  
**Front Panel Control, Display and Indicators**

	<b>ELEMENT</b>	<b>DEVICE TYPE</b>	<b>FUNCTION</b>	<b>DESCRIPTION</b>
1	VOLTAGE ENCODER	Optical Rotary	Sets: VOLTAGE PROGRAM in FINE or COARSE increments, and SS SLOPE.	0.025% / 0.25% Resolution for Fine/Coarse Adjustment. SS SLOPE: 0-31 seconds
2	CURRENT ENCODER	Optical Rotary	Sets: CURRENT PROGRAM in FINE or COARSE increments.	0.025% / 0.25% Resolution for Fine/Coarse Adjustment.
3	HV ON	Momentary Pushbutton; Latching	Turns the HV ON and lights LED. (Item 18)	With HV ON set to ON the SS SLOPE button is inactive.
4	PRESET	Momentary Pushbutton; Toggle On Timer*	Allows viewing and setting of the VOLTAGE PROGRAM and the CURRENT PROGRAM and lights LED. (Item 15)	When the PRESET button is pressed, the values of the voltage and current programs are displayed on the front panel meters.
5	FINE ADJ.	Momentary Pushbutton; Toggle	Sets 0.025% resolution for FINE adjustment and 0.25% resolution for COARSE Adjustment and lights LED. (Item 17)	Affects only VOLTAGE PROGRAM and CURRENT PROGRAM.
6	CONTROL LOCK	Momentary Pushbutton; Toggle	Locks the voltage and current encoders at their current settings and lights LED. (Item 19)	
7	SS SLOPE ADJ.	Momentary Pushbutton; Toggle On Timer*	In standby, pressing first the PRESET button, then this button allows SS SLOPE adjustment.	Voltage display reads the SS Slope setting in seconds. SS SLOPE: 0-31 seconds.

\*On Timer: A 5 second timer is initialized after pressing the button and is reset continuously while adjusting the optical encoders. At the end of the last uninterrupted cycle of approximately 5 seconds, the display switches back from showing the respective function to the default state (showing actual Voltage and Current outputs).



	<b>ELEMENT</b>	<b>DEVICE TYPE</b>	<b>FUNCTION</b>	<b>DESCRIPTION</b>
8	ENABLE REM/LOC	Momentary Pushbutton; Toggle	Toggles HV Enable (TTL) signal from local to remote and lights LED. (Item 16)	In local mode, HV is always enabled. Remote is analog by default. Connecting a computer running control software while in remote Enable will switch control from remote analog to remote digital automatically.
9	PROGRAM REM/LOC	Momentary Pushbutton; Toggle	Switches the voltage and current programs between local and remote operation and lights LED. (Item 14)	Remote is analog by default. Connecting a computer running control software while in remote Program will switch control from remote analog to remote digital automatically.
10	STANDBY	Momentary Pushbutton	Places unit in Standby Mode. Turns off HV output and HV ON LED. (Item 18)	Resets Current Trip and Arc Latch (Optional)
11	VOLTAGE	LED Green Indicator	LED indicates Voltage Mode	The output is controlled as voltage by the Voltage Encoder or remote voltage program.
12	CURRENT	LED Green Indicator	LED indicates Current Mode	The output is controlled as current by the Current Encoder or remote current program.
13	FAULT	LED Red Indicator	LED indicates an active FAULT	Output shuts down for any of: OT, AC input under voltage, and fan failure. LED lit signals fault.
14	PROGRAM REM/LOC	LED Green Indicator	LED indicates Remote Programming	Remote is analog by default. Connecting a computer running control software while in remote Program will switch control from remote analog to remote digital automatically.
15	PRESET	LED Yellow (Amber) Indicator	LED indicates PRESET Mode	
16	ENABLE REM/LOC	LED Green Indicator	LED indicates Remote Enable	Remote is analog by default. Connecting a computer running control software while in remote Enable will switch control from remote analog to remote digital automatically.
17	FINE ADJ.	LED Yellow (Amber) Indicator	LED indicates FINE adjustment mode	

	<b>ELEMENT</b>	<b>DEVICE TYPE</b>	<b>FUNCTION</b>	<b>DESCRIPTION</b>
18	HV ON	LED Red Indicator	LED indicates HV ON function is enabled.	HV ON LED indicates that the Interlock is closed and the HV ON button has been pressed (or Remote HV ON pins on J3 have been connected). HV Enable is a separate function, and must also be enabled in order to produce HV.
19	CONTROL LOCK	LED Yellow (Amber) Indicator	LED indicates Control Lock is active.	
20	POLARITY	LED Green Indicators	LEDs indicate polarity of the HV output.	These are always functional as long as the AC power switch is ON.

## **Output Meters**

3-1/2 digit digital meters display output voltage and current (1250 count maximum).

**WARNING! When system is powered down under light or no load conditions, the output may retain a charge even after power is removed. This charge may not show on the voltage meter. Discharge the output to ground or use an external meter to determine if output has discharged. Or, wait at least 1 minute before making or removing any connections to the supply.**

## INSTALLATION AND OPERATION

This unit is a component type of power supply, and as such, is designed for permanent mounting within an equipment rack that will provide adequate fire and shock protection. As is the case with most rack mounted equipment, this supply might in some cases be used for “Bench Top” operation.

### **WARNING!**

**When used as a “Bench-Top” supply all user controls & monitoring are accessed via the front panel controls. Safety precautions should be taken during the installation to prevent the connections on the rear panel from becoming “Operator Accessible” when power is applied.**

Refer to the OUTLINE AND INTERFACE drawing located in Section III for mechanical mounting specifications and dimensions.

### **CAUTION**

Care should be taken when mounting this supply not to block or otherwise impede airflow at inlet and exhaust areas.

### **WARNING!**

**NEVER ATTEMPT TO OPERATE THIS UNIT WITHOUT A GOOD EARTH GROUND CONNECTED TO THE GROUND STUD, "E1", ON THE REAR PANEL. THE GROUND WIRE OF THE AC LINE CORD MUST ALSO BE GROUNDED.**

**PER EN61010-1 THE DISCONNECTING DEVICE MUST BE READILY IDENTIFIABLE AND EASILY REACHED BY THE USER. THE DETACHABLE POWER CORD IS THE POWER SUPPLY DISCONNECTING DEVICE. TO DISCONNECT THE POWER SUPPLY FROM THE MAINS, THE POWER SUPPLY CORD MUST BE UNPLUGGED.**

**READ AND FULLY UNDERSTAND THE OPERATING INSTRUCTIONS BEFORE APPLYING POWER TO THIS UNIT.**

**THIS EQUIPMENT EMPLOYS VOLTAGES THAT ARE DANGEROUS. EXTREME CAUTION MUST BE EXERCISED WHEN WORKING WITH THIS EQUIPMENT.**

**DO NOT HANDLE THE LOAD OR EXPOSED HIGH VOLTAGE TERMINATIONS OR ATTEMPT TO MAKE OR REMOVE ANY CONNECTIONS TO THE SUPPLY UNTIL THE LOAD AND/OR SUPPLY HAS BEEN DISCHARGED (GROUNDED). AN UNLOADED SUPPLY MAY TAKE UP TO 1 MINUTE TO FULLY DISCHARGE.**

**ALWAYS MAKE CERTAIN THAT THE RETURN SIDE OF THE LOAD IS CONNECTED TO GROUND.**

## INITIAL TURN ON

**WARNING!** This procedure should only be attempted by qualified personnel who are knowledgeable in methods of safely testing and operating high voltage power supplies and related high voltage equipment. The following steps to connect and operate this equipment should be carried out only after the unit has been placed or mounted in position.

1. **CAUTION:** Check the input voltage switch (S3) setting on the rear panel of the power supply and make certain that this is the rating of the available power source. For units without a selector switch, make certain the AC power source matches the rating shown on the model label.
2. Check to see that the POWER switch is in the off (“0”) position.
3. **FOR LOCAL CONTROL (Not applicable for “NC” option):** Using the supplied “D” connector kit, make connections as shown in figure 12 of the INTERFACE DIAGRAM.

**FOR REMOTE ANALOG CONTROL:** Using the supplied “D” connector kit, connect external pots or control signals to REMOTE V-PROGRAM and REMOTE I-PROGRAM terminals. Connect HV ENABLE to REFERENCE. See INTERFACE DIAGRAM figures 2, 3, 4, 11, & 12.

**FOR REMOTE DIGITAL CONTROL:** Connect a digital interface (RS-232, USB or optional Ethernet) to a control computer. Using the supplied “D” connector kit, make connections as shown in figure 12 of the INTERFACE DIAGRAM.

Note: Always connect J3-1 (GROUND) to J3-2 (COMMON) unless COMMON needs to “float” for isolation or metering purposes.

4. Connect the high voltage output cable to your HV apparatus and ground the return lead of the load as shown in Figures 11 & 12 of INTERFACE DIAGRAM. Connect the high voltage cable to the receptacle on the rear panel.

**WARNING!** Make sure to isolate your HV apparatus/load from any possible contact with other objects and personnel.

*“NC” OPTION USERS: Monitor the V-MONITOR terminal with a DVM (0 - 10VDC = 0 - rated kV output), or monitor the voltage on a remote computer.*

5. Connect the AC input cable provided to J4 and to the power source.

6. Apply input power to the supply by setting POWER switch to the on (“1”) position.

*“NC” OPTION USERS: HV is generated upon AC power on.*

**FOR LOCAL CONTROL (Not applicable for “NC” option):**

*Skip to step 13 for REMOTE ANALOG CONTROL. Skip to step 19 for REMOTE DIGITAL CONTROL.*

7. Make sure the PROGRAM and ENABLE REM/LOC switches are set to local. The REM/LOC indicators should be extinguished.
8. Press the PRESET button, and the PRESET indicator will illuminate. Rotate VOLTAGE ENCODER counterclockwise until the kilovolt meter reads zero. This is optional, but desirable so as to prevent damage to external equipment caused by inadvertent overvoltage setting. Not required if correct setting has already been established.
9. Press the PRESET button, and the PRESET indicator will illuminate. Rotate the CURRENT ENCODER clockwise to a level that is greater than the amount that the connected load will require (any setting above zero if no load is connected). Note: A setting above zero is required for HV generation even if no load is connected. Press the PRESET button again (or wait 5 seconds) to return to reading the actual HV output voltage.
10. Depress HV ON pushbutton. The HV ON indicator should illuminate.
11. Rotate VOLTAGE ENCODER (or increase external V-PROGRAM signal) until voltage meter indicates desired output voltage.
12. To shut the HV OFF, press the STANDBY switch. The HV on indicator will extinguish.

**FOR REMOTE ANALOG CONTROL:**

13. Make sure the PROGRAM and ENABLE REM/LOC switches are set to remote. The REM/LOC indicators should be illuminated. (Not applicable for “NC” option)

Note: With a computer connected via RS-232, USB, or Ethernet control will switch from Remote Analog to Remote Digital automatically.

14. Set external V-PROGRAM pot to zero volts. This is optional, but desirable so as to prevent damage to external equipment caused by inadvertent overvoltage setting. Not required if correct setting has already been established.

15. Set external I-PROGRAM pot to a level that is greater than the amount that the connected load will require (any setting above zero if no load is connected). Note: A setting above zero is required for HV generation even if no load is connected.
16. Depress HV ON pushbutton. The HV ON indicator should illuminate. (“NC” option users: HV is generated upon AC power on)
17. Rotate external V-PROGRAM pot until voltage meter indicates desired output voltage.
18. To shut the HV OFF, press the STANDBY switch. The HV on indicator will extinguish. (Not for “NC” option units)

**FOR REMOTE DIGITAL CONTROL:**

19. Make sure the PROGRAM and ENABLE REM/LOC switches are set to remote. The REM/LOC indicators should be illuminated. (Not applicable for “NC” option)
20. Launch the supplied software on the connected computer.
21. Depress HV ON pushbutton. The HV ON indicator should illuminate. (“NC” option users: HV is generated upon AC power on)
22. Using the supplied software, set voltage and current programs to desired levels. Select HV ON, then Send Program.
23. To shut the HV OFF, press the STANDBY switch. The HV on indicator will extinguish. (Not for “NC” option units)

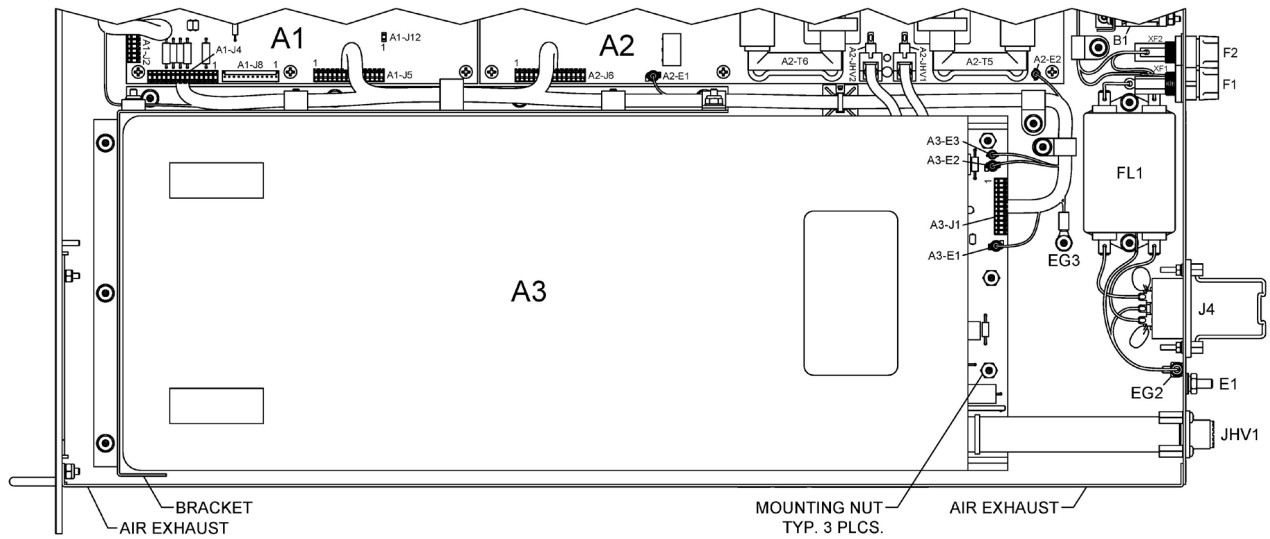
Refer to page 33 for complete REMOTE DIGITAL CONTROL operating instructions.

24. To shut down supply, set POWER SWITCH to the off (“0”) position.

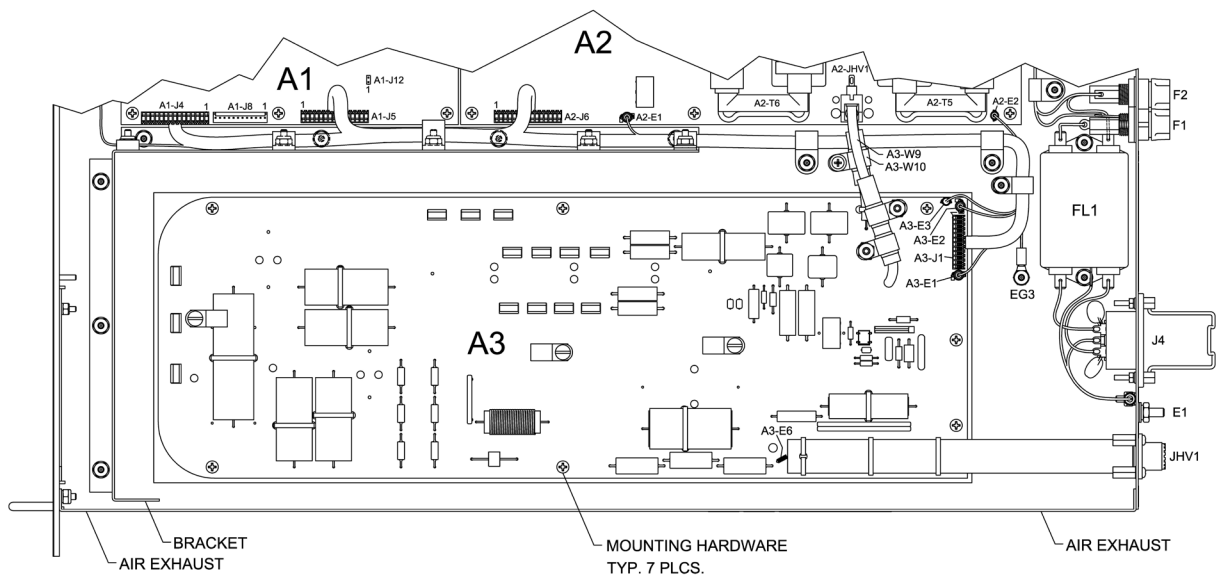
**WARNING!**

**DO NOT HANDLE THE LOAD OR EXPOSED HIGH VOLTAGE TERMINATIONS OR ATTEMPT TO MAKE OR REMOVE ANY CONNECTIONS TO THE SUPPLY UNTIL THE LOAD AND/OR SUPPLY HAS BEEN DISCHARGED (GROUNDED). AN UNLOADED SUPPLY MAY TAKE UP TO 1 MINUTE TO FULLY DISCHARGE.**

**POLARITY REVERSAL – FT 8-60kV**



**POLARITY REVERSAL – FT 5 & 6kV**



For reversible polarity models, the power supply has been shipped with two high voltage assemblies, one positive and one negative. One module is mounted in the chassis; the other one is shipped separately. A label on each high voltage assembly indicates its polarity. To reverse the polarity of the power supply, it is necessary to interchange the high voltage modules.

**WARNING! To avoid the risk of shock and personal injury, Wait at least 3 minutes after disconnecting the AC mains power before removing any covers or panels.**

1. Unplug the HV cable from JHV1.
2. Remove the top cover from the unit.  
**BE SURE AC POWER IS DISCONNECTED AND HV IS DISCHARGED!**
3. Remove the electrical connector from A3-J1 and the push lugs which are connected to the high voltage assembly presently installed (see Table 4). Disconnect the high voltage wire or wires connected to A2-JHV1 and A2-JHV2 on the main board A2 (APD).
4. For 8-60 kV, take off the three nuts and washers that secure the high voltage module to the base pan. For 5 and 6 kV, remove the seven mounting screws that attach the AHV to the base pan. Interchange the high voltage modules and reinstall the washers and nuts or screws. (Note: Loosen the two nuts holding the HV bracket if needed.)
5. Reconnect A3-P1 to J1 and all 3 push lugs to the high voltage module (See Table 4). Reconnect the high voltage wire or wires to JHV1 and JHV2 of A2.

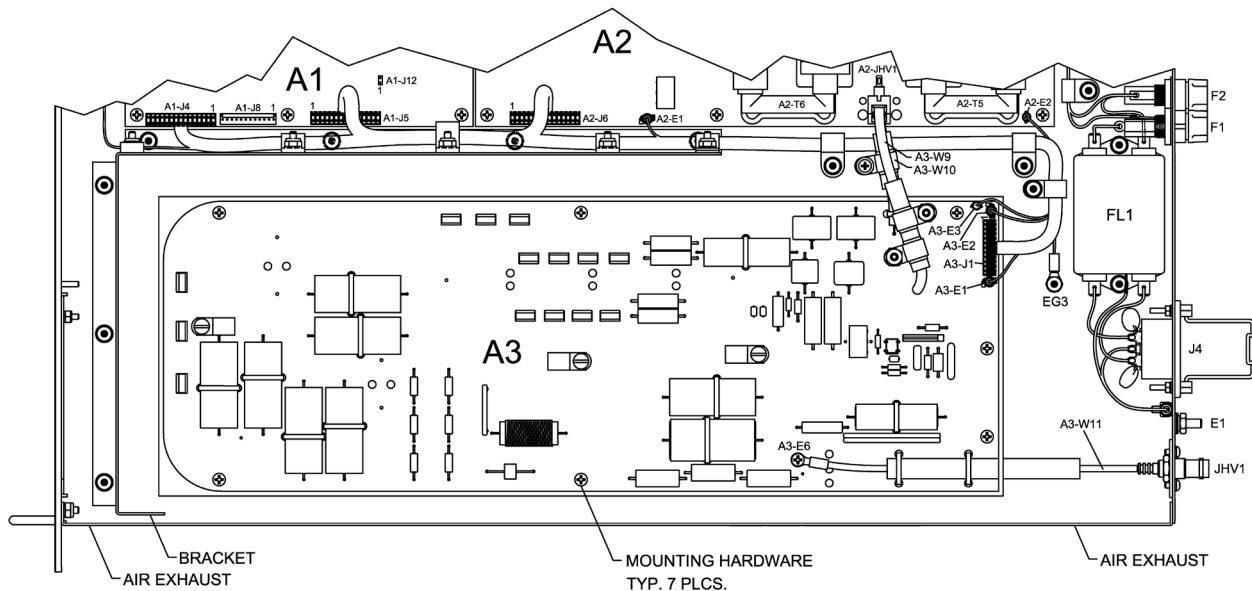
**Warning! For continued safety, Common, Ground and HV Return must be properly reinstalled!**

6. Replace the top cover.

SERIES	GROUND	COMMON	HV RETURN
FT	E1	E3	E2
<i>Table 4 Common and Ground Connections</i>			



## POLARITY REVERSAL – FT 1-3kV



For reversible polarity models, the power supply has been shipped with two high voltage modules, one positive and one negative. Both modules are mounted in the chassis. The active module is wired into the chassis harness, and the inactive module is mounted adjacent to the active module. A label on each high voltage module indicates its polarity. To reverse the polarity of the power supply, it is necessary to interchange the high voltage modules.

**WARNING! To avoid the risk of shock and personal injury, Wait at least 3 minutes after disconnecting the AC mains power before removing any covers or panels.**

1. Remove the top cover from the unit.  
**BE SURE AC POWER IS DISCONNECTED AND HV IS DISCHARGED!**
2. Remove the electrical connector A3-P1 and the push lugs A3-E1, A3-E2 and A3-E3 (if used) which are connected to the high voltage assembly presently active. Disconnect A3-W11 wire at A3-E6 by removing the mounting screw. Disconnect the high voltage wire connected to A2-JHV1. Disconnect the high voltage wire connected to A2-JHV2 (if used).
3. Remove the seven mounting screws that attach the AHV to the base pan. Interchange the high voltage modules and reinstall the mounting hardware.

4. Reconnect A3-P1, A3-E1 & A3-E2 and A3-E3 (if used) to the high voltage module. Connect the high voltage wire(s) to JHV1 of A2 and JHV2 (if used). Reconnect A3-W11 wire to A3-E6.

**Warning! For continued safety A3-E1, A3-E2 & A3-E3 must be properly reinstalled!**

5. Replace the top cover.

## FRONT PANEL FUNCTION OPERATION

*For “NC” Option, there are no controls on the front panel – only the Power switch.*

### **HV ON Pushbutton:**

A momentary press turns HV ON. Pressing this button again while the HV is still ON will have no effect. Reset to standby is by pressing the STANDBY switch (see STANDBY switch description) or by toggling the AC power switch OFF, waiting for power to turn off, then turning power switch back ON.

A fault will not inhibit operation of the HV ON function, but will inhibit HV generation via the PWM enable line. When the fault clears, the HV will automatically re-enable.

The HV will not turn ON if the interlock is open. If the interlock is opened while the HV ON function is active, the unit will trip to and latch in standby and once the interlock is closed will require the HV ON button to be pressed again (or Remote HV ON terminals on J3 to be momentarily closed) to turn the HV back ON.

For the NC option the HV ON pushbutton is continuously bypassed so that the HV is turned ON immediately when the AC power is turned ON. With this option the interlock will trip the unit to standby but not latch it so that immediately upon reconnecting the interlock jumper, the HV will turn ON.

### **HV ON Indicator:**

Red LED indicator that is lit whenever the HV ON function is active. This light remains ON when the HV is inhibited either by a fault, HV enable, CT trip, or optional arc inhibit.

### **PRESET Pushbutton:**

A momentary press switches the front panel displays to read the existing settings of the voltage and current adjustment encoders. This function operates in both local and remote modes but only presets the local encoders.

The displays will switch back to reading the actual output levels when either the HV ON button is pressed, (if in standby), the PRESET button is pressed a second time, or automatically 5 seconds after pressing it. As long as the preset controls are being adjusted the timer is reset to zero and the displays will continue to read the preset levels. If HV ON is active and PRESET is pressed, the meters will display the present PRESET settings, but they cannot be adjusted unless unit is first returned to STANDBY.

**PRESET Indicator:**

Yellow (Amber) LED indicator that is lit whenever the displays are reading the preset values.

**SS SLOPE Pushbutton:**

This sets the ramp time to the voltage program level upon pressing the HV ON button. When in standby, press the PRESET pushbutton and then within 5 seconds press the SS SLOPE pushbutton. The voltage display will now indicate ramp rate and the current display will read “SEC” (seconds). The voltage encoder will set the slope in seconds. The display will return to standard functions 5 seconds after no further adjustments are made or if the HV ON or PRESET button is pressed. The ramp time to the program value can be adjusted from 0 (no slow start ramp) to 31 seconds.

Both the PRESET and the SS SLOPE buttons must be pressed in sequence to enter this adjustment mode. This will prevent accidental changing of setting. The slope setting is automatically disabled when the HV is ON.

For “NC” option users the SS is an option that is non-adjustable and the slope value must be set at the factory.

**FINE ADJ Pushbutton:**

Momentarily pressing the button will increase the encoder controls resolution by a factor of ten (from 0.25% to 0.025% per step) to allow more precise setting of the output voltage and current levels.

Upon pressing the button, the control encoders are set to fine resolution and remain in the condition until the FINE ADJ button is again pressed to return the resolution to coarse.

**FINE ADJ Indicator:**

Amber LED indicator that is lit whenever the unit is in fine adjust mode.

**PROGRAM REM/LOC Pushbutton:**

Pressing this button toggles the voltage and current programs between local and remote. It functions either in standby or when the HV is ON.

Remote program is analog by default. When the RS232, USB, or optional Ethernet connector is connected to a computer running control software, operation will automatically switch from analog to digital when in remote mode. The USB will take priority over the RS232 when the USB connector is connected, and the Ethernet (optional) will take priority over both the RS232 and the USB when connected. When in local mode the monitors and status can still be read over any digital connection.

Upon turning the AC power switch ON the unit will default to the previous setting of the switch when the unit was last powered.

The NC option requires continuous remote operation. However, the digital/analog remote priorities remain the same.

**PROGRAM REM/LOC Indicator:**

Green LED indicator that is lit whenever the unit is in remote program mode.

**ENABLE REM/LOC Pushbutton:**

Pressing this button toggles the HV enable between Local and Remote. It functions either in standby or when the HV is ON.

The HV Enable is switched from always on (local) to external analog or digital. The remote HV Enable is analog by default and requires an active pull-up to generate HV output. When the RS232, USB, or optional Ethernet connector is connected, operation will automatically switch from analog to digital when in remote mode. The USB will take priority over the RS232 when the USB connector is connected and the Ethernet (optional) will take priority over both the RS232 and the USB when connected.

Upon turning the AC power switch ON the unit will default to the previous setting of this switch when the unit was last powered.

The NC option requires continuous remote operation. However, the digital/analog priorities remain the same.

**ENABLE REM/LOC Indicator:**

Green LED indicator that is lit whenever the unit is in remote enable mode.

**POLARITY Indicators:**

Green LEDs that indicate the polarity of the HV output voltage. One is for + polarity and one is for –polarity.

Polarity indicators are always active whenever AC power is ON.

**VOLTAGE/CURRENT Mode Indicators:**

Green LEDs that indicate whether the output control is voltage or current. One LED indicates voltage control and the other current control.

Mode indicators are always active whenever AC power is ON.

When in standby, the default will be the voltage control indicator no matter where the control encoders or remote programming are set.

If CT operation is selected the current mode indicator will illuminate when latched. If the arc option is provided, since it is neither voltage nor current mode, both the voltage and current mode indicators will be lit. Pressing the standby switch will provide a CT or arc latch reset.

**FAULT Indicator:**

Red LED that indicates a fault inside the unit. These faults will inhibit HV generation. The fault indicator is functional whenever the AC power is ON.

Faults are defined as over temperature, fan failure, and under voltage/rail fault. Interlock, CT and optional Arc trip are NOT considered faults.

**STANDBY Pushbutton:**

Pressing this switch will perform the following actions:

1. The unit will be set to standby and the HV ON indicator will extinguish.
2. A reset of the CT and/or arc latch option will be performed.

**CONTROL LOCK Pushbutton:**

Pressing this switch will lock the voltage and current encoders at their existing settings so that turning their knobs will not change the settings. Press the switch again to regain adjustment. This feature is to prevent accidental adjustment of the HV output.

**CONTROL LOCK Indicator:**

Amber LED that illuminates when the front panel CONTROL LOCK function is active.

**VOLTAGE and CURRENT Encoders:**

Infinitely variable multi-turn controls to control the voltage and current from zero to rated. Since there are no mechanical stops the PRESET function enables determining their settings. Turning the encoder past its end of range will not advance or reduce the output any further. The encoder will continue to turn but the output will remain at the maximum or minimum rated value.

When in local mode, upon power-up, the encoders will both be set to the last settings of the encoders at the prior power down. When switching from local to remote mode the control settings will be retained so that when it is switched back to local the output settings will return to the former values.

## ANALOG REMOTE CONTROL INTERFACE

*NOTE: It is recommended that shielded cable(s) be used for these connections and that the shield be terminated to ground.*

*For CE and UKCA compliant supplies used in Europe or the UK: Please refer to the EMC addendum located elsewhere in this manual for shielding, terminating filtering conditions required to conform to 2014/30/EU and the Electromagnetic Compatibility Regulations 2016, No. 1091.*

**WARNING! Do not use J3 connections for main earth ground or load return! E1 ground stud on the rear panel is provided for this purpose.**

### J3-1, J3-25    GROUND

These terminals should not be used as the main connection to earth ground or for load return. Use the main ground terminal, “E1”, for that purpose.

J3-1 should be connected to the COMMON terminal J3-2 unless a floating common is desired (*See J3-2 and INTERFACE DIAGRAM FIG 7*).

J3-25 terminal is provided for an instrumentation ground connection.

### J3-2    POWER COMMON

This COMMON should be jumpered to J3-1 GROUND unless it is desired to allow COMMON to “float” for isolation or load current measurement purposes. Note that the load current will flow through J3-1 and J3-2. For that reason, don’t use these terminals for any other purpose if J3-1 is tied to J3-2. Note that the output voltage will regulate with respect to COMMON, not GROUND.

When COMMON is floating, it is clamped internally by a bi-directional diode circuit. The inserted drop of a current measurement shunt between COMMON and GROUND should not exceed 5V; otherwise, erroneous readings may be obtained (*See INTERFACE DIAGRAM FIG 7*).

### J3-11    DIGITAL COMMON

Digital Signals, such as HV ENABLE, INTERLOCK and status indicator signal returns, should be connected to J3-11 DIGITAL COMMON and all analog monitor/programming returns should be connected to SIGNAL COMMON (J3-8)



**J3-8**      **SIGNAL COMMON**

This terminal is provided for all programming and measuring instrument returns. This separate COMMON return is provided so that the digital and HV return currents cannot create a voltage drop that could cause an error in the program monitor/signals. It is connected internally to the same COMMON as J3-2 and J3-11.

## NOTE:

*INTERFACE DIAGRAM FIG 11 is just one example of the many possible interface configurations.*

*INTERFACE DIAGRAM FIG 12 shows the minimum number of connections to completely enable the supply. In this configuration, output voltage and current are controlled by the front panel controls (except on "NC" option units which have no front panel controls). No external signals are required.*

**J3-10**      **I-MONITOR**

A 0-10 V signal, positive with respect to SIGNAL COMMON, and in direct proportion to the output current, is available at this terminal. An internal 10 k ohm, 1%, limiting resistance protects the circuitry. Therefore, it is recommended that a digital voltmeter be used to monitor this output. It is also acceptable to use a 1 mA DC full scale instrument (i.e. analog meter) for monitor purposes (*See INTERFACE DIAGRAM FIG 6*).

**J3-7****REMOTE I-PROGRAM**

*Note: When the PROGRAM REM/LOC switch is set to the LOCAL position, this input is disconnected and output current programming is set by the front panel control.*

*When the PROGRAM REM/LOC switch is set to the REMOTE position, and a digital signal connection is not made, program voltages must be provided to the REMOTE V-PROGRAM and I-PROGRAM inputs of J3 in order for high voltage to be generated.*

*"NC" OPTION USERS: Programming is always remote; no switch is provided.*

When the PROGRAM REM/LOC switch is set to the REMOTE position, a positive 0-10 V signal (with respect to SIGNAL COMMON at J3-8) will program the output current proportionally from zero to rated output. This input can be programmed in several ways (**See INTERFACE DIAGRAM FIG 4**):

- \* A user supplied 0 - +10 V signal.
- \* A user supplied potentiometer (5-50 k ohms, 10 k nominal) can be connected between the +10 V REFERENCE and SIGNAL COMMON, with the wiper connected to the REMOTE I-PROGRAM terminal.
- \* The REMOTE I-PROGRAM input may be jumpered to the +10 V REFERENCE voltage terminal for a fixed current limit at the maximum rated current.

**J3-3****INTERLOCK**

INTERLOCK (J3-3) must be jumpered to DIGITAL COMMON (J3-11) to enable the supply. If desired, this jumper may be removed and replaced by an external switch which must be closed for the supply to operate. If the external switch is opened, the supply will return to standby and HV generation will be inhibited. When the switch is again closed, the front panel HV ON pushbutton must be depressed or Remote HV ON terminals J3-15 and J3-16 must be momentarily connected to re-enable the supply (except on "NC" option supplies which will re-enable immediately) (**See INTERFACE DIAGRAM FIG 1**).

**J3-9**      **V-MONITOR**

A 0-10V positive signal with respect to SIGNAL COMMON, in direct proportion to the output voltage, is available at this terminal. An internal 10 k ohm, 1%, limiting resistance protects the circuitry. Therefore, it is recommended that a digital voltmeter be used to monitor this output. It is also acceptable to use a 1 mA DC full scale instrument (i.e. analog meter) for monitor purposes (See INTERFACE DIAGRAM FIG 5).

**J3-6**      **REMOTE V-PROGRAM**

*Note: When the PROGRAM REM/LOC switch is set to the LOCAL position, this input is disconnected and output voltage programming is set by the front panel control.*

*When PROGRAM REM/LOC switch is set to the REMOTE position, and a digital signal connection is not made, program voltages must be provided to the REMOTE V-PROGRAM and I-PROGRAM inputs of J3 in order for high voltage to be generated.*

*"NC" OPTION USERS: Programming is always remote, no switch is provided.*

When the PROGRAM REM/LOC switch is set to the REMOTE position, a positive 0-10 V signal (with respect to SIGNAL COMMON at J3-8) will program the output voltage proportionally from zero to rated output. This input can be programmed in several ways (See INTERFACE DIAGRAM FIG 3):

- \* A user supplied 0 - +10 V signal.
- \* A user supplied potentiometer (5-50 k ohms, 10 k nominal) can be connected between the +10 V REFERENCE and SIGNAL COMMON, with the wiper connected to the REMOTE V-PROGRAM terminal.
- \* The REMOTE V-PROGRAM input may be jumpered to the +10 V REFERENCE voltage terminals for a fixed output at the maximum voltage.

**J3-12**      **+10 V REFERENCE**

The output of this terminal is an ultra-stable, positive, +10 V reference voltage (with respect to SIGNAL COMMON) that is supplied for user programming applications. Maximum current drain from this point should be limited to 4 mA.

**J3-20**      **HV ENABLE**

When the ENABLE REM/LOC switch is set to the REMOTE position, an external positive 2.5-15 V source (with respect to COMMON at J3-11) will enable the supply. A 0-1.5 V signal at this input will disable the supply (***See INTERFACE DIAGRAM FIG 2***). When the ENABLE REM/LOC switch is set to the local position HV ENABLE is always enabled.

*NC Option Users: This input must be jumpered to REFERENCE (J3-12) if no external HV ENABLE signal is used.*

**J3-21**      **HV STATUS**

When the supply is enabled to produce HV, the HV status signal goes from a low to a high state and stays high until the HV is disabled.

High is a 1k resistor pull up to +5V.  
Low is 0V (common) and can sink up to 5mA.

**J3-22**      **FAULT STATUS**

During normal operation, this signal is low and goes high when a fault occurs. It stays high until the fault is cleared. If the supply is enabled and generating HV when the fault occurs, the HV will be disabled and consequently the HV status signal will go low as well as the fault signal going high.

A fault can be either under voltage, over temperature or a faulty fan.

High is a 1k resistor pull up to +5V.  
Low is 0V (common) and can sink up to 5mA.

**J3-23**      **MODE STATUS**

During operation in voltage mode, this signal will be low. During operation in current mode, this signal will be high.

High is a 1k resistor pull up to +5V.  
Low is 0V (common) and can sink up to 5mA.

**J3-24**      **ARC STATUS**

If the supply includes ARC Quench, when an ARC discharge occurs this signal will transition from Low to High for a 20ms duration (20ms high pulse for each ARC). An ARC is defined as an instantaneous HV output discharge that exceeds 15-30% of the supply voltage rating.

High is a 1k resistor pull up to +5V.  
Low is 0V (common) and can sink up to 5mA.

**J3-15 & J3-16 REMOTE HV ON**

These terminals when momentarily jumped initiate HV ON. This is the remote equivalent of pushing the HV ON button on the front panel.

There are three ways to connect these terminals:

1. Leaving them open allows normal HV ON from the front panel only. The STANDBY button turns the HV OFF and resets any faults.
2. Placing a momentary switch across these terminals allows turning the HV ON either locally (front panel) or remotely. The STANDBY button turns the HV OFF and resets any faults.
3. Placing a jumper between these terminals bypasses the front panel HV ON button and the HV will turn ON as soon as the AC power switch is turned on. The STANDBY button will not turn the HV OFF. The interlock will turn the HV OFF but it will turn ON as soon as the interlock is closed.

Open circuit voltage is 2V. Closed current is 2mA.

**J3-17/18 CURRENT LIMIT (CL) CURRENT TRIP (CT) SELECT**

**CURRENT LIMIT:** When load current exceeds the current program or control setting the unit regulates the current at the setting. (Constant Current).

**CURRENT TRIP:** When load current exceeds the current program or control setting the HV output will trip and latch off. Reset is by pressing the front panel STANDBY switch or toggling the AC power switch (Local mode), or by toggling the HV enable signal (Remote mode).

## REMOTE DIGITAL INTERFACE

### FT Computer Interface

This section describes the specific implementation of the XP Glassman High Voltage RS2323/USB/Ethernet Serial Data Interface for the ET/EJ/FJ/FR series power supplies. The Ethernet interface (U1) is optional and is not included with standard power supplies.

The purpose of this interface is to provide remote monitoring and control capability of all analog and digital functions available for these power supplies, while providing 1000 V RMS voltage isolation between the power supply and the controlling computer. The interface is microcontroller based and built into the control board of the power supply.

The interface uses ASCII encoded character strings for data transmission. Transmission error checking is implemented using modulo 256 checksums. The transmission format uses no parity and one stop bit with a baud rate of 9600.

The power supply interface acts strictly as a slave device. It will not transmit any messages over the data link unless it receives a request from the master computer.

Note that the Interlock on J3 must be satisfied and the HV ON function must be operated by either pressing the front panel HV ON button or using the Remote HV ON pins on J3, before being able to control the unit with the digital interface.

**SERIAL INTERFACE CONNECTIONS**

*(SEE FIGURE 10 ON INTERFACE DRAWING)*

**RS232:**

Using the provided Null Modem cable, attach the control computer's serial port to J1 on the rear panel of the power supply.

**USB:**

J2 on the rear panel is USB "B" connector. The USB connection is detected automatically and it will take precedence over RS232. A standard USB cable is provided.

**ETHERNET (optional):**

Using a CAT5e Ethernet cable, attach U1 on the rear panel of the power supply to the local network. Alternately, the power supply can be connected directly to a computer's Ethernet port using a crossover Ethernet cable. The Ethernet connection is detected automatically and it will take precedence over both RS232 and USB.

## Serial Interface Software

**Installation:** The following Serial Interface Software is downloaded from the XP Power website using the QR code on the instrument:

**Serial Power Supply Control Program (XP.exe):** This program can run on Windows XP and later. XP.exe should be copied from the downloaded software package to a writeable location on the hard drive in order to store the power supply parameters. Power supply parameters will be stored in XP.ini. This file will be created after the program is launched from a writeable location for the first time. Both files must remain in the same folder/sub-directory to recall power supply parameters when launched. This file is located in the root (\) of the downloaded software package.

**USB drivers:** USB communications between a MS Windows computer and the serial interface is implemented using USB drivers installed on the computer. These drivers allow USB communications via a "virtual com port". USB drivers **MUST** be installed in order to use the USB communications interface feature. Installation instructions for the USB drivers are provided in a PDF file supplied by the driver vendor. These files are located in the \Drivers\USB\ folder in the downloaded software package. Run Setup.exe to install.

**Labview drivers:** Labview drivers are provided. In addition, a generic sample power supply control template is provided with application notes. Customizing is done by the user as required to match the power supply features available. These files are located in the \Drivers\Labview\ folder in the downloaded software package. You must have the Labview software to use these drivers.

### **Ethernet Installation and set up: (units with Ethernet Option only):**

IP Address:

With the power supply connected to the network and powered on, run the Digi Device Discovery program from the downloaded software package. The program must be permitted to access the network by any firewall program in use. The program will locate the power supply by its unique MAC Address. Choose 'Configure Device Settings' from the task list on the left. Select 'Manually configure network settings.' Set an IP Address, Subnet Mast, and Gateway as required for the local network and save.

Choose 'Open Web Interface' from the task list or open a web browser to the IP address of the device (<http://xxx.xxx.xxx.xxx>). Enter the default login when prompted.

User: root

Password: *The unique default password is printed on a label near the ethernet port. If there is no password label, the default password is: dbps*



**NOTE:** If the default password is misplaced, contact XP Power. It can be retrieved using your power supply serial number.

**CAUTION:** If the user changes the default password, XP cannot reset to the default password remotely and the supply will need to be returned to the factory for reset. For this reason, changing the default password is not recommended. Additional user profiles with unique passwords can be created if desired. Refer to the DIGI documentation provided in the downloaded software package for more information.

Under Configuration, select 'Serial Ports.' Select 'Port 1' and choose 'Real Port Profile,' then 'Apply.' Next, select 'GPIO' also under Configuration. Change Pin 2 mode to 'Out,' Initial Output State to 'asserted,' then 'Apply.' Logout of the web interface.

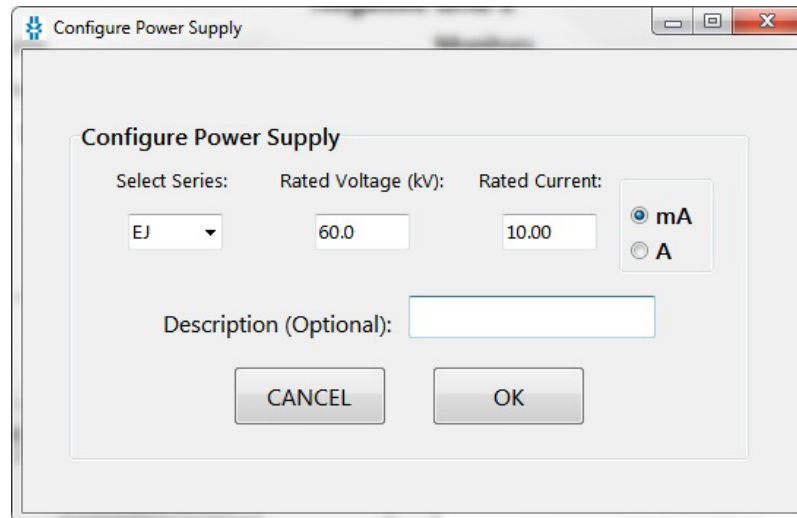
Note: In order to switch back to either RS232 or USB control, the above process must be repeated and GPIO pin 2 output must be de-asserted.

#### **RealPort Drivers:**

The communication using the Ethernet interface of the power supply and the XP Power control software requires the installation of RealPort Drivers. These drivers allow communication with the power supply via a 'virtual com port.' Installation instructions are provided in the downloaded software package in PDF form. Drivers are provided for Windows XP and later. These files are located in the \Drivers\Ethernet folder in the downloaded software package.

## Serial Power Supply Control Program Operation:

The program consists of a **main window**, Configuration, and About menus:

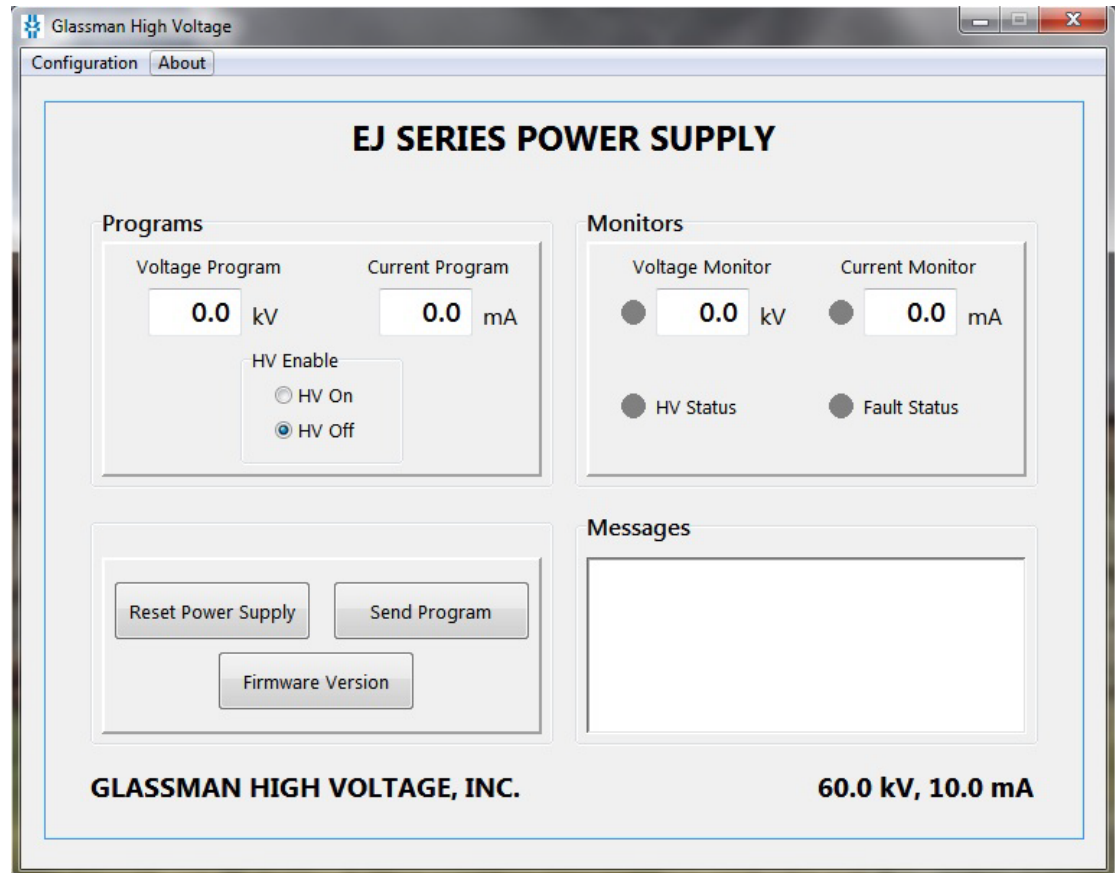


**Configuration - Power Supply:** On the initial run (or any run without GHV.ini present in the directory with GHV.exe), the Power Supply Configuration window will launch immediately. Choose the appropriate Series from the pull down menu or manually enter the Series letters if it is not in the list. Enter the Voltage in kilovolts and the Current in either milliamps or Amps exactly as they appear on the power supply label without any polarity indication. Enter a description of the power supply if desired. The description will appear on the main window, underneath the Series name. Clicking 'OK' will set the scale factors and resolution for both Voltage and Current. Be sure to check these numbers on the Confirmation pop-up. The Power Supply Configuration window can be accessed any time through the Configuration menu.

**Configuration - Com Port:** Allows for selection of the Serial Port Com 1 up to Com 10 and opens/closes the port. In order to use the USB interface, the assigned virtual com port, as installed by the USB driver software, must be selected.

**NOTE:** If run from a read-only location, Power Supply and Com Port configuration changes cannot be saved.

**About - Software Version:** Displays a window with the Software Revision.



The **Program Main Screen** displays four data entry and display text boxes, three control buttons, one HV enable/disable selector, and up to four status indicators. See series specific manual for available status indicators.

**Voltage Program** allows entry of values up to the rating of the power supply. For example, for a 3 kV power supply, the maximum is 3.00. If a greater value is entered, the program will not execute the command and will issue a warning asking that the user enter values within the allowable voltage range.

**Current Program** allows entry of values up to the rating of the power supply. For example, for a 400 mA power supply, the maximum is 400. If a greater value is entered, the program will not execute the command and will issue a warning asking that the user enter values within the allowable current range.

**Voltage Readback** displays voltage values sent from the power supply to the computer. The program refreshes this information approximately every 250 milliseconds when the power supply is connected to computer through the interface and operating normally.

**Current Readback** displays current values sent from the power supply to the computer. The program refreshes this information approximately every 250 milliseconds when the power supply is connected to the computer through the interface and operating normally.

**Send Program Button** is used to send new voltage & current program values or Enable/Disable commands to the power supply.

**Power Supply Reset Button** is used to reset the power supply, so that the output voltage is disabled, and voltage and current programs are set to zero.

**Firmware Version Button** is used to display the current firmware version of the interface.

**Voltage Control Status Indicator** is used to indicate that the power supply is operating in voltage regulation mode.

**Current Control Status Indicator** is used to indicate that the power supply is operating in current regulation mode (or current trip where applicable).

**PS Fault Status Indicator** is used to indicate that the power supply HV enable is inhibited due to a Fault condition. Refer to the instruction manual text for a description of conditions which cause a Fault.

**HV On Status Indicator** is used to indicate that the power supply HV is on.

**Message Report** window displays:

1. Commands that the program sends to the power supply.
2. Responses sent from the power supply to the program.
3. Program status and execution errors.

Please refer to the XP Glassman Serial Interface Specification for firmware commands, responses and error reports.

## REMOTE MONITORING

The power supply can be monitored remotely by a computer while still in LOCAL control mode. The power supply can be queried by the computer to retrieve both analog and digital status monitors at any time. In order to remotely control the programs or HV enable, the corresponding front panel remote/local button must be switched to remote.

## SERIAL INTERFACE COMMAND PROTOCOL

CHARACTER SENT	ASCII CODE (Hexadecimal)	COMMENTS
SOH	1	Start of header (Ctrl-A)
<CR>	0D	Carriage return (Enter)
0	30	
1	31	
2	32	
3	33	
4	34	
5	35	
6	36	
7	37	
8	38	
9	39	
A	41	CAPITAL letters only!
B	42	
C	43	
D	44	
E	45	
F	46	
Q	51	
R	52	
S	53	
V	56	
<i>Table 5. Relevant ASCII Codes</i>		

**NOTE:** The power supply has a communication timeout of 1.5 seconds built in for safety. When writing custom software, the program must send a data packet to the power supply in intervals of less than 1.5 seconds or the high voltage will turn off and the remote digital programs will be reset to zero. The recommended method is to send a “Query” command once per second to keep the remote monitors and status signals updated. The timeout can be disabled for debugging purposes via the Configure Command.

## SIGNAL SUMMARY

The data interface receives and transmits digital data packets between the Customer computer and the XP Glassman HV power supply that represent the analog and digital signals defined below:

### **Analog Control Signals sent from Customer Computer to XP Glassman HV Power Supply:**

1. Voltage Control (0 – FFF hex represents 0 – Vmax output)
2. Current Control (0 – FFF hex represents 0 – Imax output)

Internal to the power supply interface, the D/A converters have an analog output range of 0 to + 5 volts DC, where FFF hex represents full scale.

### **Digital Control Signals sent from Customer Computer to XP Glassman HV Power Supply:**

1. HV On (0 = off, 1 = on)
2. HV Off (0 = on, 1 = off)
3. Power Supply Reset (1 – reset)

Programming a digital control bit to a “1” will generate an internal 250 millisecond pulse that will assert the desired function.

### **Analog Monitor Signals sent from XP Glassman HV Power Supply to Customer Computer:**

1. Voltage Monitor (0 – 3FF hex represents 0 – Vmax output)
2. Current Monitor (0 – 3FF hex represents 0 – Imax output)

Internal to the power supply interface, the A/D converters have an analog input range of 0 to +5 volts DC, where 3FF hex represents full scale.

### **Digital Monitor Signals sent from XP Glassman HV Power Supply to Customer Computer:**

1. Power Supply Fault (1 = fault) when available.
2. HV On Status, (1 = on, 0= off) when available.
3. Control Mode Status (V mode = 1, I mode = 0) when available.

## COMMAND STRUCTURE

The general operation of the data link is described in this section.

The Customer computer can send three possible commands to the HV power supply:

**SET POWER SUPPLY (S)** command

**QUERY POWER SUPPLY (Q)** command

**SOFTWARE VERSION LEVEL REQUEST (V)** command

A Set command contains a total of 18 bytes and instructs the power supply to change any or all of its control signals. The power supply will execute the Set command and respond with a simple 2 byte **ACKNOWLEDGE (A)** packet, or, if errors are detected, the power supply will not execute the Set command but will return a 5 byte **ERROR (E)** packet.

A Query command contains a total of 5 bytes, and is used to request that the power supply return an information packet containing the analog and digital information that it monitors. The power supply responds by sending back a 16 byte **RESPONSE (R)** packet.

In response to a 5 byte Version Request command, the power supply will return a 6 byte **SOFTWARE VERSION LEVEL RESPONSE (B)** packet to the computer.

For all these commands, if communication errors or illegal conditions are detected by the power supply, the command will not be executed and the appropriate 5 byte **ERROR (E)** packet will be sent back to the computer.

## SET COMMAND (“S”) AND ACKNOWLEDGE (“A”) RESPONSE

Prior to sending a Set Command that performs any function other than a Power Supply Reset, the computer should ensure that no fault conditions are existing within the power supply. This is done by first sending a Query Command and examining the returned Response Packet.

Note that it is legal to send a Set Command that does not assert any of the three digital controls. For example, if the HV was on and it was desired to change one or more of the two analog controls, a command packet could be sent containing the new values for the analog controls but with the three digital control bits set to 0. In this case, the analog values will be changed and the HV will remain on.

If any of the analog monitor fault bits are active, the Set Command packet must include a Power Supply reset assertion.

The protocol for the Set Command is as follows:

The power supply receives the “S” command and performs a checksum comparison and other error checking. If a communication or other error is detected, the power supply will not execute the command but will send an error message back to the computer. If the checksum compares properly and no other errors exist, the power supply will execute the Set Command and return a simple 2 byte Acknowledge message. The computer should then Query the power supply to be sure that the power supply parameters are set as desired.

The data will be ASCII encoded, where scaling is done in the Customer computer. The resolution for the four analog controls is 12 bits, so full scale will be represented by FFF hex. The first byte “SOH”, can be entered at the keyboard by the “CONTROL-A” key combination (“CTRL-A”).

All alphabetical entries should use CAPITAL letters only. Use of lower case letters will result in errors.

The byte definitions of the command message are shown in Table 6. Note that high order bytes are sent first.



BYTE	DESCRIPTION
1	Start of message character ("SOH" character: hex 01)
2	Command Identifier Character (S character, hex 53)
3 - 5	Voltage command (0 – Vmax corresponds to 0 – FFF hex)
6 - 8	Current command (0 – Imax corresponds to 0 – FFF hex)
9 -14	Not implemented
15	Digital control data (HV On, HV Off, Power Supply Reset)
16 -17	Modulo 256 Checksum of all previous bytes except start character
18	End of message character (carriage return, hex 0D)

*Table 6. SET Command Byte Contents*

An example will illustrate how the ASCII data protocol is used. Assume that the Customer computer sends a command to the power supply that sets the analog power supply parameters to 55% Vmax, 25% Imax, and asserts the digital HV Off control.

The following 18 byte packet will be sent:

The first byte will contain the ASCII character SOH, which will be sent as 01 hex = 0000 0001 binary (enter CTRL-A at the computer keyboard).

Byte 2 is the Set Power Supply command identifier character S. In ASCII, this is 53 hex = 0101 0011 binary (enter capital S at the computer keyboard).

Bytes 3 through 5 represent the voltage, 55% of full scale. Full scale with 12 bit resolution is FFF hex. 55% is therefore represented as 8CC hex (within an error of 1 lsb). Bytes 3-5 will be sent containing the ASCII representation of 8CC hex (enter 8CC at the computer keyboard):

Byte 3: 38 hex = 0011 1000 binary  
Byte 4: 43 hex = 0100 0011 binary  
Byte 5: 43 hex = 0100 0011 binary

Bytes 6 through 8 represent the current, 25% of full scale. Full scale with 12 bit resolution is FFF hex. 25% is therefore represented as 3FF hex (within an error of 1 lsb). Bytes 6 – 8 will be sent containing the ASCII representation of 3FF hex (enter 3FF at the computer keyboard):

Byte 6: 33 hex = 0011 0011 binary  
Byte 7: 46 hex = 0100 0110 binary  
Byte 8: 46 hex = 0100 0110 binary

Bytes 9 through 14 are not implemented, and all are set to 30 hex = 0 decimal.

Byte 15 represents the digital control data. The digital control byte is assigned as follows (only the least significant four bits are encoded into the ASCII byte):

Bit 0	HV Off (Off = 1)
Bit 1	HV On (On = 1)
Bit 2	Perform Reset (reset = 1). Sets V = 0, I = 0 & HV Enable = off,
Bit 3	Unused

The digital control nibble will therefore contain 0001 binary = 01 hex. The ASCII representation is (enter the number 1 at the computer keyboard):

Byte 15:                   31 hex = 0011 0001 binary

The checksum is calculated on all bytes before it except the SOH character. Bytes 16 and 17 will therefore contain the remainder of a modulo 256 addition of bytes 2 through 15. In hex, these bytes are:

53 + 38 + 43 + 43 + 33 + 46 + 46 + 30 + 30 + 30 + 30 + 30 + 30 +  
31 hex = 321 hex

Since modulo 256 decimal is modulo 100 hex, we can divide 321 hex by 100 hex. The remainder is 21 hex. Therefore 21 hex will be sent in bytes 16 and 17 in ASCII representation as 32 hex and 31 hex. Note that the actual implementation of the checksum by the data interface is very simple and requires no actual division. The data bytes are simply added up on an eight bit counter whose carry overflow is ignored. The result stored in the counter will be the checksum remainder (If entering the checksum directly from the computer keyboard, enter the numbers 2 and 1):

Byte 16:                   32 hex = 0011 0010 binary  
Byte 17:                   31 hex = 0011 0001 binary

The last byte is the carriage return (press the “Enter” key on the computer keyboard), represented in ASCII as:

Byte 18:                   0D hex = 0000 1101 binary

To summarize, the entire 18 ASCII character packet will be sent as follows, where the start character, SOH = Ctrl-A = 01 hex is the first byte sent and the carriage return = 0D hex is the last byte sent:

Byte Number:

1 2 3 4 5 6 7 8 9 10 11 12 13 14 15 16 17 18

Entered at the keyboard:

Ctrl-A S 8 C C 3 F F 0 0 0 0 0 0 1 2 1 Enter

Sent in ASCII coded hexadecimal:

01 53 38 43 43 33 46 46 30 30 30 30 30 30 31 32 31 0D

(Note that the spaces between bytes are shown for clarity only and are not actually sent.)

The actual data is sent in serial binary format. Each 8-bit byte is framed with 1 start and 1 stop bit. No parity bits are being sent or received. Therefore this data packet is 180 bits long.

The data interface will receive this command and place it in a temporary memory area. Before executing the command, several checks are made. If an illegal condition is detected, the command will not be executed and an error message will be sent back to the computer. The conditions that are checked are described in the Error Responses section of this document.

If no errors are detected, the data interface will execute the command, and then send a 2 byte Acknowledge Packet back to the computer.

The format of the Acknowledge Packet is:

A <CR> where <CR> indicates the carriage return.

In ASCII coded hexadecimal:

41 0D

## QUERY COMMAND (“Q”)

The 5 byte command to request power supply status information is the Query (“Q”) command.

The protocol for the Query command will be as follows:

The power supply will receive a Q command requesting information. If the command is properly received with no errors detected, the power supply will return the Response packet back to the computer. If errors are detected in the command, the power supply will return an appropriate error message.

The format of the command is:

SOH	Q	Check1	Check2	<CR>
Entered at the keyboard:				
Ctrl-A	Q	5	1	Enter
Sent in ASCII coded hexadecimal:				
01	51	35	31	0D

where the checksum, which does not include the SOH character, will always be hex 51, transmitted in two ASCII bytes representing 5 and 1.

**RESPONSE PACKET (“R”)**

The 16 byte Response Packet will be returned to the computer in response to a valid Query command. It will contain status information in the following order:

BYTE #	DESCRIPTION
1	Response identifier character “R”
2-4	Voltage monitor(0 – Vmax) corresponds to (0 – 3FF) hex.
5-7	Current monitor(0 – Imax) corresponds to (0 – 3FF) Hex.
8-10	Reserved, Set to 0 decimal = 30 hex.
11-13	Digital monitors (12 bits encoded in three ASCII bytes)
14-15	Modulo 256 checksum of bytes 2 –13
16	End of message character (carriage return, hex 0D)

*Table 7. Response Packet Byte Contents*

Note that the analog monitors have 10 bit resolution, therefore, full scale is represented in hexadecimal as 3FF. The checksum is calculated on bytes 2 through 13.

The 12 digital monitor status bits are sent as three ASCII characters. The bit assignments are as follows:

Byte 11:

- Bit 0 Control Mode: Voltage Mode = 0, Current Mode = 1
- Bit 1 Power Supply Fault (1 = Fault)
- Bit 2 HV On Indicator (1 = on)
- Bit 3 Unused=

Byte 12:

- Bit 0 Unused=
- Bit 1 Unused=
- Bit 2 Unused =
- Bit 3 Unused =

Byte 13:

- Bit 0 Unused =
- Bit 1 Unused =
- Bit 2 Unused =
- Bit 3 Unused =

For example, a monitored voltage of Vmax will correspond to 3FF hex, sent with ASCII encoding as follows:

- Byte 2: 33 hex (00110011 binary)
- Byte 3: 46 hex (01000110 binary)
- Byte 4: 46 hex (01000110 binary)

If HV was On, and the Current Mode was set, the digital status bytes will be:

Byte 11: 35 hex (00110101 binary)

Byte 12: 30 hex (00110000 binary)

Byte 13: 30 hex (00110000 binary)

**SOFTWARE VERSION REQUEST (“V”) COMMAND AND RESPONSE (“B”)**

The 5 byte command to request the software revision level of the power supply’s data interface is the “V” command.

The protocol for the V command will be as follows:

The power supply will receive a V command requesting information. If the command is properly received with no errors detected, the power supply will return the 6 byte Version Response (B) packet back to the computer. If errors are detected in the V command, the power supply will return an appropriate error message.

The format of the V command is:

SOH	V	Check1	Check2	<CR>
-----	---	--------	--------	------

Entered at the keyboard:

Ctrl-A	V	5	6	Enter
--------	---	---	---	-------

Sent in ASCII coded hexadecimal:

01	56	35	36	0D
----	----	----	----	----

where the checksum, which does not include the SOH character, will always be hex 56, transmitted in two ASCII bytes representing 5 and 6.

The format of the 6 byte Response Packet (B) will be:

B	2 byte revision level	2 byte checksum	<CR>
---	-----------------------	-----------------	------

For example, if a V command was properly received by a data interface with software revision level 25, the following packet will be returned to the computer:

B	25	2 byte Checksum	<CR>
---	----	-----------------	------

Sent in ASCII coded hexadecimal:

42	32	35	36	37	0D
----	----	----	----	----	----

since the checksum of 32 hex + 35 hex is 67 hex which is transmitted in ASCII as two bytes containing 36 and 37 hex.

**POWER SUPPLY CONFIGURE COMMAND (“C”)**

**WARNING!** The timeout should be disabled for software debugging purposes only. Use extreme caution when disabling the timeout. For the safety of the user, it is recommended to always re-enable the timeout once software debugging is complete.

The 6 byte command to enable/disable the communication timeout is the “C” command. The 1.5 second communication timeout is enabled at the factory by default. If the user disables the timeout feature, the power supply will continue to produce high voltage during a loss of communication. This setting is stored in the power supply and will be recalled at turn on. A proper command, with no errors will result in an Acknowledge Response (“A”).

The timeout enable/disable is toggled via Byte 3. The bit assignments are as follows:

Byte 3:

Bit 0 0 = Timeout Enabled, 1 = Timeout disabled  
Bit 1 unused  
Bit 2 unused  
Bit 3 unused

The format of the “C” command to disable the timeout is:

SOH C 1 Check 1 Check 2 <CR>

Entered at the keyboard:

Ctrl-A C 1 7 4 Enter

Sent in ASCII coded hexadecimal:

01 43 31 37 34 0D

where the checksum, which does not include the SOH character, will always be 74 to disable the time out.

The command to re-enable the timeout is:

Ctrl-A C 0 7 3 Enter

Sent in ASCII coded hexadecimal:

01 43 30 37 33 0D

where the checksum, which does not include the SOH character, will always be 73 to re-enable the timeout.



## ERROR RESPONSES (E) AND ILLEGAL CONDITIONS

Error responses are messages sent back to the computer in response to a communication error detected on receipt of an S, Q, or V command or an illegal setting in an S command. The 5 byte error response packet takes the following form:

E 1 byte error code 2 byte checksum >CR>

The checksum is only calculated on the 1 byte error code. For example, for error 5, the error byte will be transmitted as 35 hex. The checksum of 35 hex is 35 hex which is transmitted in ASCII as two bytes containing 33 and 35 to represent the 3 digit and 5 digit, respectively.

Error Codes Are:

1. Undefined Command Code – the command character received was not an S, Q, or V. The power supply will send back this error message if the second character of the received command packet is not an S, Q, or V. The error packet that will be returned to the computer will be:

Characters sent: E 1 3 1 <CR>  
In ASCII coded hexadecimal: 45 31 33 31 0D

2. Checksum Error – the transmitted checksum received in the command packet did not match the checksum calculated on the received bytes. The error packet that will be returned to the computer will be:

Characters sent: E 2 3 2 <CR>  
In ASCII coded hexadecimal: 45 32 33 32 0D

3. Extra Byte(s) Received – a byte other than the carriage return character was received in the last expected byte position of the command. The error packet that will be returned to the computer will be:

Characters sent: E 3 3 3 <CR>  
In ASCII coded hexadecimal: 45 33 33 33 0D

4. Illegal Digital Control Byte In Set Command – only one of the following three conditions can be set in the digital control byte of the Set command at any one time:

HV On  
HV Off  
Power supply Reset

If the computer requests that the power supply set more than one of the above three conditions simultaneously, error 4 will be generated. The error packet that will be returned to the computer will be:

Characters sent:                   E 4 3 4 <CR>  
In ASCII coded hexadecimal:   45 34 33 34 0D

5. Illegal Set Command Received While a Fault is Active – if a fault is active at the time a Set command is received. The command must assert the Power Supply Reset line. If the computer attempts to turn HV On or HV Off, or to change only the analog control signals while a fault is active, the command will be rejected and error 5 will be generated. The error packet that will be returned to the computer will be:

Characters sent:                   E 5 3 5 <CR>  
In ASCII coded hexadecimal:   45 35 33 35 0D

6. Processing Error: Data received was valid, however an error was detected when executing the Command. The error packet that will be returned to the computer will be:

Characters sent:                   E 6 3 6 <CR>  
In ASCII coded hexadecimal:   45 36 33 36 0D

The fault signals that are checked are:

Power Supply Fault (when available)

REV	BY	DESCRIPTION	DATE	APPROVED
NR-1	JJG	CLARIFIED TOROID POSITION	040208	JM
NR-2	TJP	ADDRESS UPDATE	120210	HMS
NR-3	JAG	UPDATED "GLASSMAN" TO "XP GLASSMAN"	010219	

## INSTRUCTIONS for MOUNTING FERRITE TOROID SUPPRESSOR

Slip the toroid supplied over your multi-conductor cable and position as shown in drawing. Wind specified number of turns through the toroid pulling on the wire to get tight coils.

Secure the cable ends with cable ties or a similar method to prevent loosening of the coils. The cable can now be terminated and connected. It is recommended to mechanically secure the toroid/cable assembly. For additional protection it can be wrapped in tape or mounted in an enclosure. Be sure to allow the additional cable length to accommodate the suppressor.

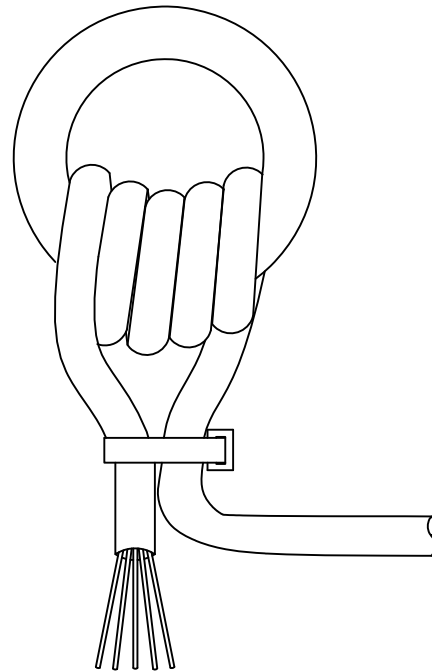
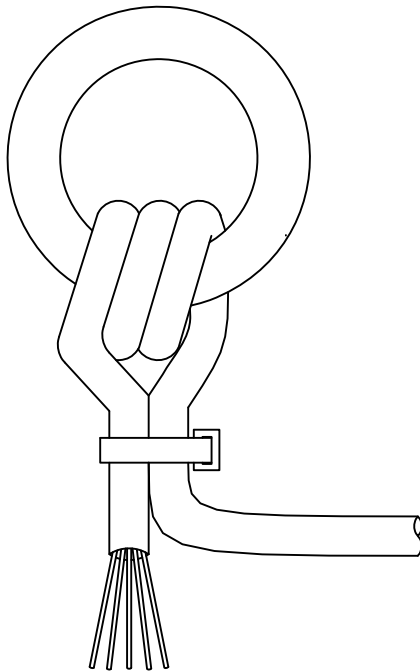
When finished, the toroid assembly must be positioned within 76 mm (3.0") of the power supply terminal strip or interface connector for proper EMI reduction.


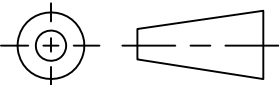
IMPEDANCE

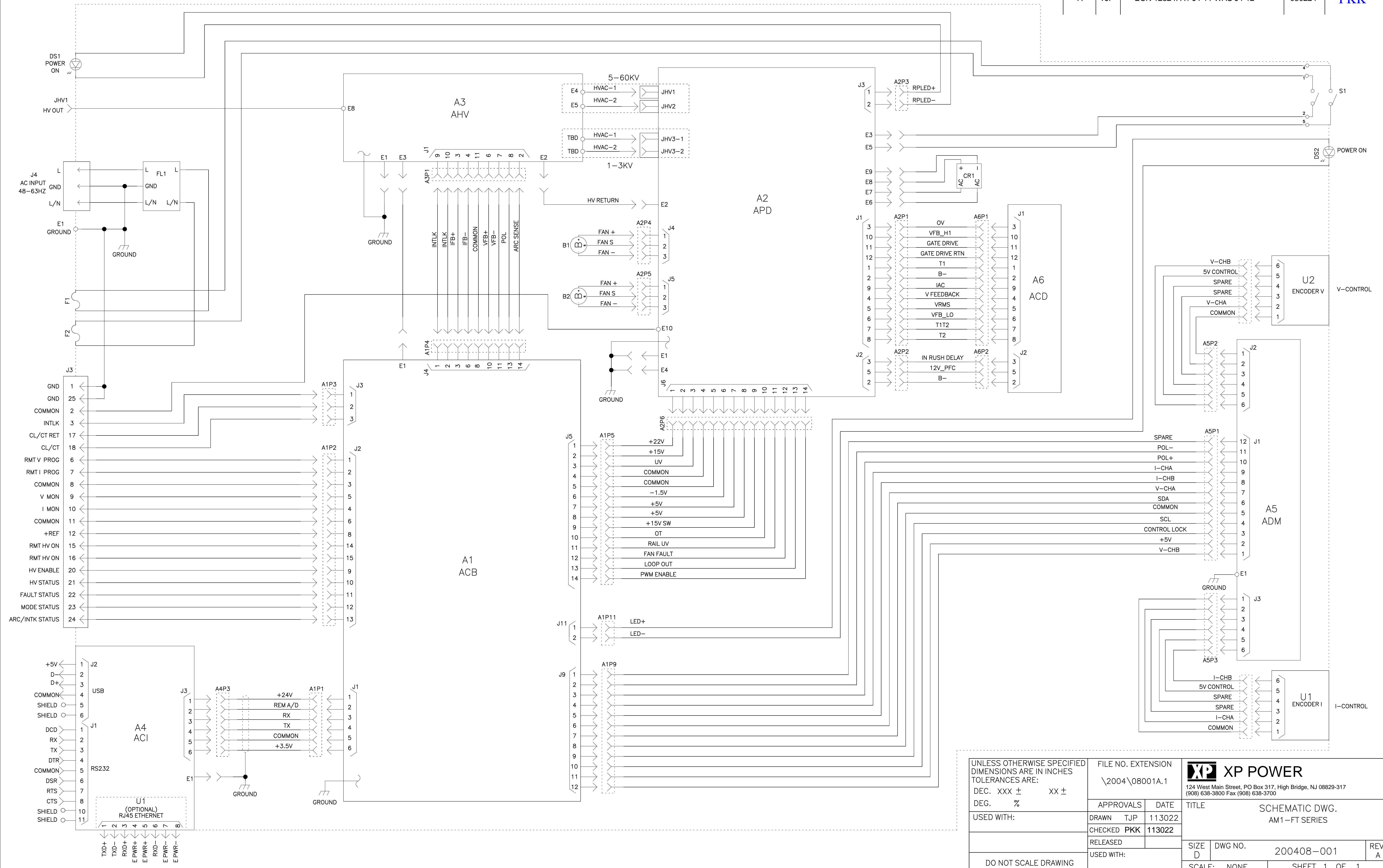
NUMBER OF TURNS


3000 ohms at 100MHz  
5000 ohms at 100MHz

Three  
Five



UNLESS OTHERWISE SPECIFIED DIMENSIONS ARE IN INCHES TOLERANCES ARE : DEC. XXX ±      XX ± DEG. ±	FILE NO.      EXTENSION \1013\10001-3.DWG		 124 West Main Street, PO Box 317, High Bridge, NJ 08829-317 (908) 638-3800 Fax (908) 638-3700	
	 THIRD ANGLE PROJECTION	APPROVALS DRAWN      MDS CHECKED RELEASED	DATE 042597	TITLE INSTALLATION DRAWING TOROID SUPPRESSOR
DO NOT SCALE DRAWING			DWG.NO.      A 101310-001	REV. NR-3
			SCALE      NONE	SHEET      1 OF 1



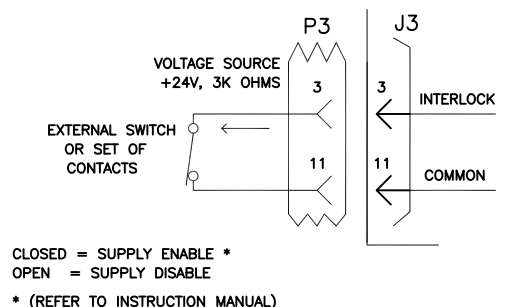
UNLESS OTHERWISE SPECIFIED DIMENSIONS ARE IN INCHES TOLERANCES ARE: DEC. XXX ± XX ± DEG. %	FILE NO. EXTENSION	 <small>124 West Main Street, PO Box 317, High Bridge, NJ 08829-317 (908) 638-3800 Fax (908) 638-3700</small>	
	\2004\08001A.1	APPROVALS	DATE
USED WITH:	DRAWN TJP	113022	
	CHECKED PKK	113022	
	RELEASED		
	USED WITH:		
DO NOT SCALE DRAWING	SCALE: NONE	SIZE D	DWG NO. 200408-001
			REV. A
		SHEET 1 OF 1	

TITLE SCHEMATIC DWG.  
AM1-FT SERIES

REV	BY	DESCRIPTION	DATE	APPROVED

REMOTE INTERLOCK

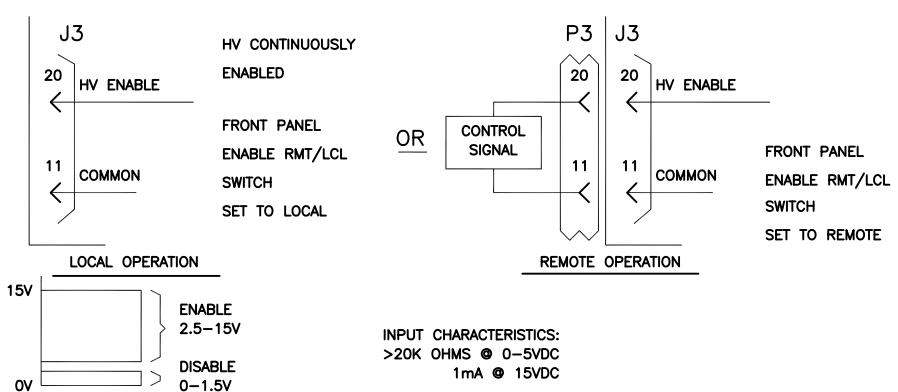
FIGURE 1



CLOSED = SUPPLY ENABLE \*  
OPEN = SUPPLY DISABLE  
\* (REFER TO INSTRUCTION MANUAL)

ANALOG REMOTE HV ENABLE

FIGURE 2



INPUT CHARACTERISTICS:  
>20K OHMS @ 0-5VDC  
1mA @ 15VDC

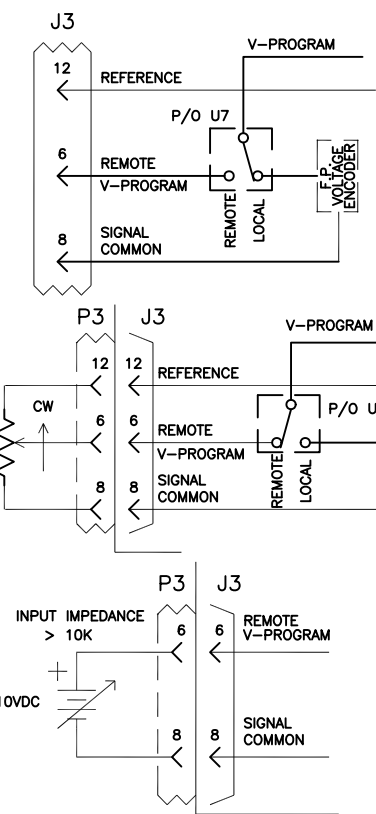
ANALOG REMOTE/LOCAL VOLTAGE PROGRAMMING

FIGURE 3

LOCAL VOLTAGE PROGRAMMED BY SETTING FRONT PANEL RMT/LCL SWITCH TO LOCAL POSITION AND BY USING THE FRONT PANEL KV ADJUST ENCODER.

REMOTE VOLTAGE PROGRAMMED BY ATTACHING A 5K TO 50K POTENTIOMETER BETWEEN REFERENCE AND SIGNAL COMMON WITH THE WIPER ARM TO VOLTAGE PROGRAMMING. F.P. PROGRAM RMT/LCL SWITCH SET TO REMOTE POSITION.

THE SUPPLY MAY BE PROGRAMMED WITH A REMOTE 0-10VDC VOLTAGE WHICH IS POSITIVE WITH RESPECT TO SIGNAL COMMON. F.P. PROGRAM RMT/LCL SWITCH SET TO REMOTE POSITION.



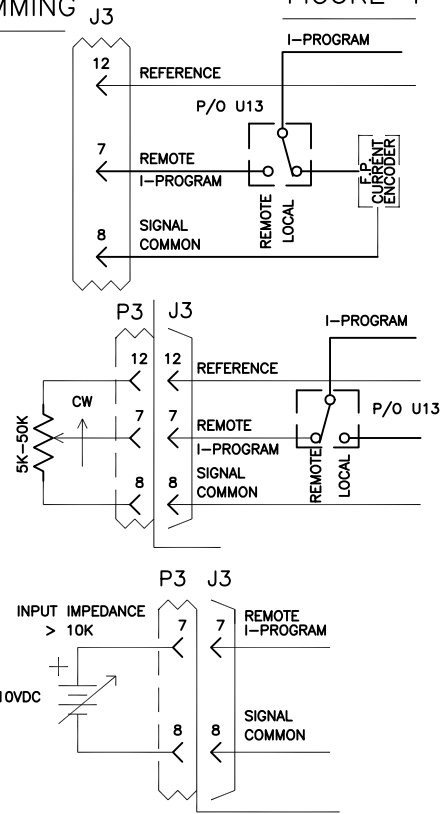
ANALOG REMOTE/LOCAL CURRENT PROGRAMMING

FIGURE 4

LOCAL CURRENT PROGRAMMED BY SETTING FRONT PANEL RMT/LCL SWITCH TO LOCAL POSITION AND BY USING THE FRONT PANEL mA ADJUST ENCODER.

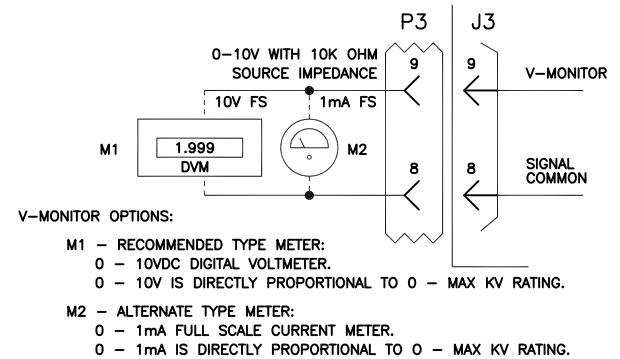
REMOTE CURRENT PROGRAMMED BY ATTACHING A 5K TO 50K POTENTIOMETER BETWEEN REFERENCE AND SIGNAL COMMON WITH THE WIPER ARM TO CURRENT PROGRAMMING. F.P. PROGRAM RMT/LCL SWITCH SET TO REMOTE POSITION.

THE SUPPLY MAY BE PROGRAMMED WITH A REMOTE 0-10VDC VOLTAGE WHICH IS POSITIVE WITH RESPECT TO SIGNAL COMMON. F.P. PROGRAM RMT/LCL SWITCH SET TO REMOTE POSITION.



ANALOG VOLTAGE MONITOR

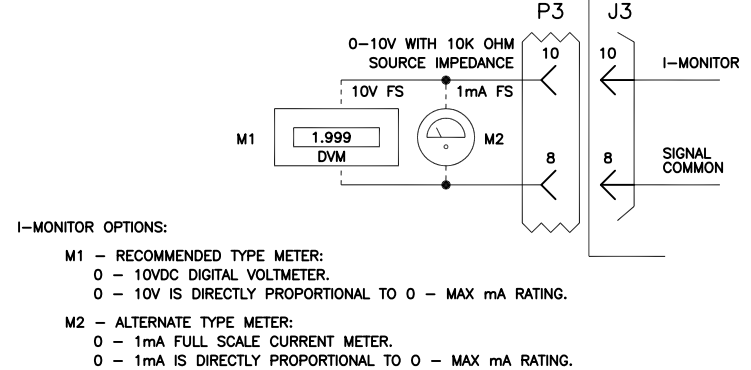
FIGURE 5



V-MONITOR OPTIONS:  
M1 - RECOMMENDED TYPE METER:  
0 - 10VDC DIGITAL VOLTMETER.  
0 - 10V IS DIRECTLY PROPORTIONAL TO 0 - MAX KV RATING.  
M2 - ALTERNATE TYPE METER:  
0 - 1mA FULL SCALE CURRENT METER.  
0 - 1mA IS DIRECTLY PROPORTIONAL TO 0 - MAX KV RATING.

ANALOG CURRENT MONITOR

FIGURE 6

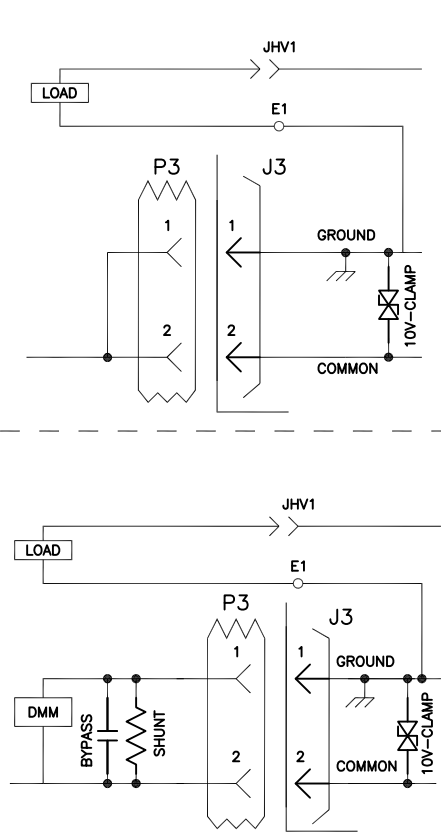


I-MONITOR OPTIONS:  
M1 - RECOMMENDED TYPE METER:  
0 - 10VDC DIGITAL VOLTMETER.  
0 - 10V IS DIRECTLY PROPORTIONAL TO 0 - MAX mA RATING.  
M2 - ALTERNATE TYPE METER:  
0 - 1mA FULL SCALE CURRENT METER.  
0 - 1mA IS DIRECTLY PROPORTIONAL TO 0 - MAX mA RATING.

COMMON AND GROUND

FIGURE 7

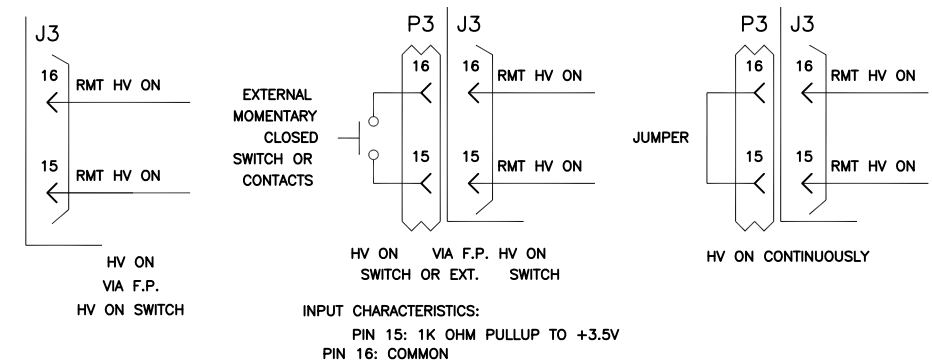
SYSTEM COMMON AND GROUND ARE NORMALLY TERMINATED TOGETHER.



TO "FLOAT" COMMON FOR ISOLATION OR MEASUREMENT PURPOSES, REMOVE COMMON AND GROUND CONNECTION ON J3-1 & 2. FOR THIS CONFIGURATION INSTRUMENT RETURNS MUST BE TIED TO COMMON, AND LOAD RETURN MUST BE CONNECTED TO GROUND. INSTRUMENT RETURNS MUST BE FLOATING WITH RESPECT TO GROUND. SINCE COMMON IS INTERNALLY CLAMPED TO GROUND WITH A BIDIRECTIONAL ZENER, THE DROP ACROSS THE SHUNT SHOULD BE < 5.0V.

REMOTE HV ON

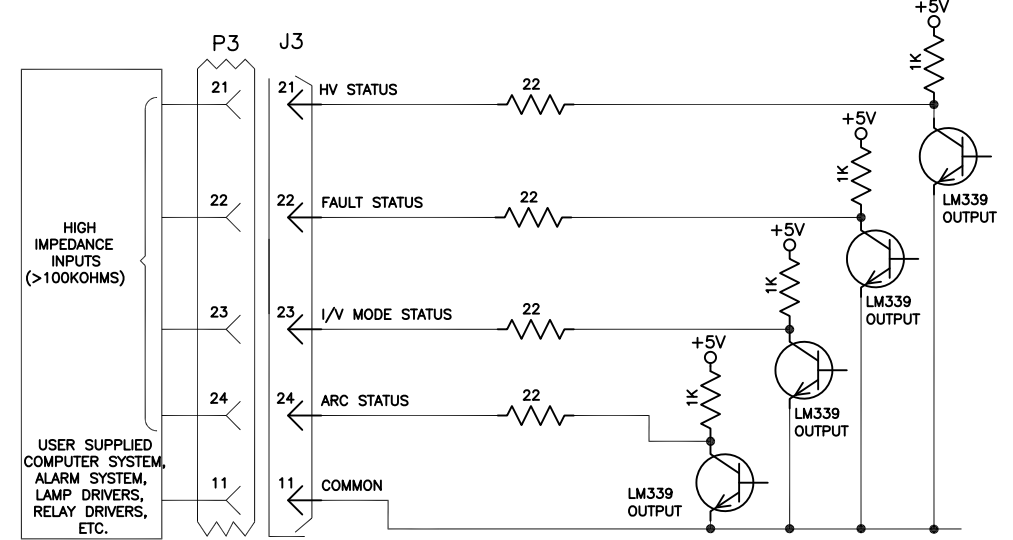
FIGURE 8



INPUT CHARACTERISTICS:  
PIN 15: 1K OHM PULLUP TO +3.5V  
PIN 16: COMMON

STATUS SIGNALS

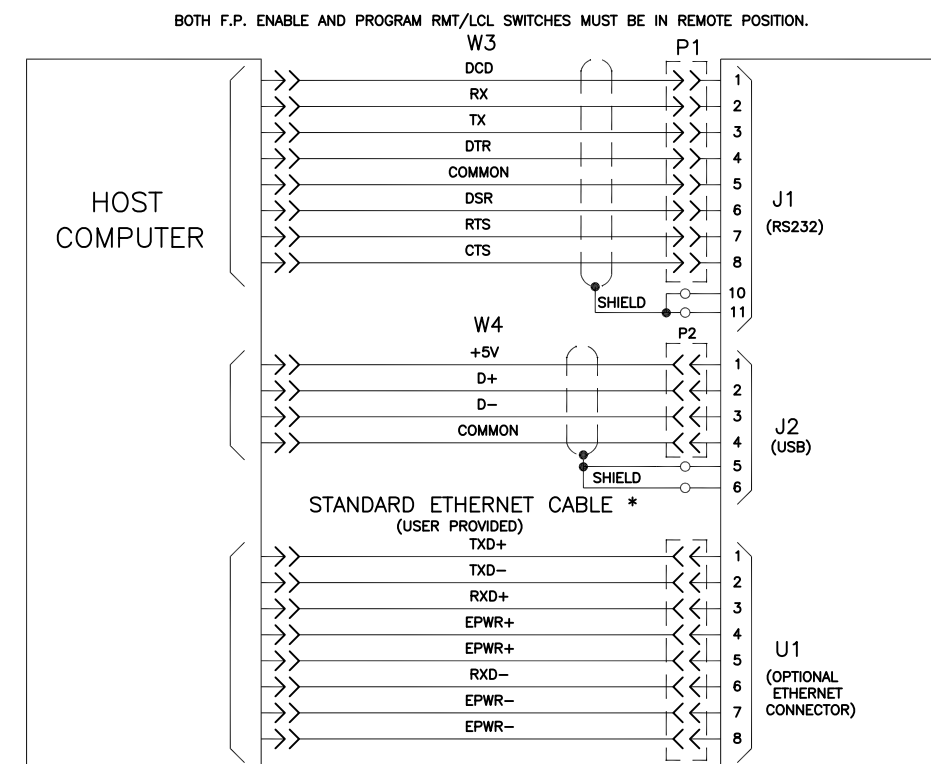
FIGURE 9



UNLESS OTHERWISE SPECIFIED DIMENSIONS ARE IN INCHES TOLERANCES ARE : DEC. XXX ± XX ± DEG. ±	FILE NO. EXTENSION 2004\09001-.DWG	 124 West Main Street, PO Box 317, High Bridge, NJ 08829-317 (908) 638-3800 Fax (908) 638-3700
	APPROVALS DATE	
 THIRD ANGLE PROJECTION	DRAWN TJP 122722	B DWG.NO. 200409-001 REV. NR
DO NOT SCALE DRAWING	CHECKED PKK 010923 RELEASED	

DIGITAL REMOTE INTERFACE

FIGURE 10

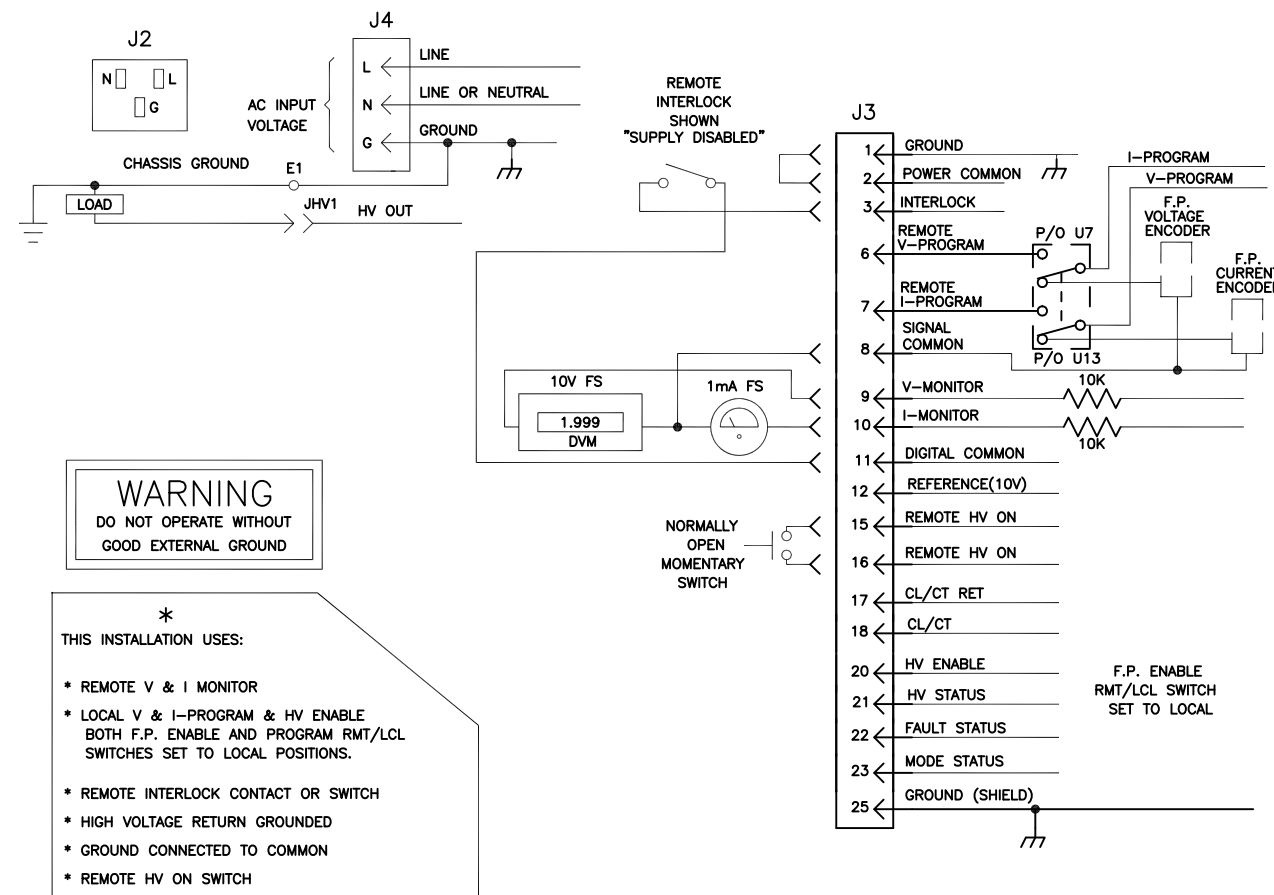


W3 IS A NULL MODEM CABLE.  
IF MULTIPLE CONNECTIONS ARE MADE THE PRIORITY IS:  
USB TAKES PRIORITY OVER RS232.  
ETHERNET (OPTIONAL) TAKES PRIORITY OVER BOTH  
RS232 AND USB.

\* CAT 5 ETHERNET CABLE IF CONNECTED TO A NETWORK,  
CROSSOVER CABLE IF CONNECTED DIRECTLY TO A COMPUTER.

A TYPICAL INSTALLATION WITH ANALOG INTERFACE \*

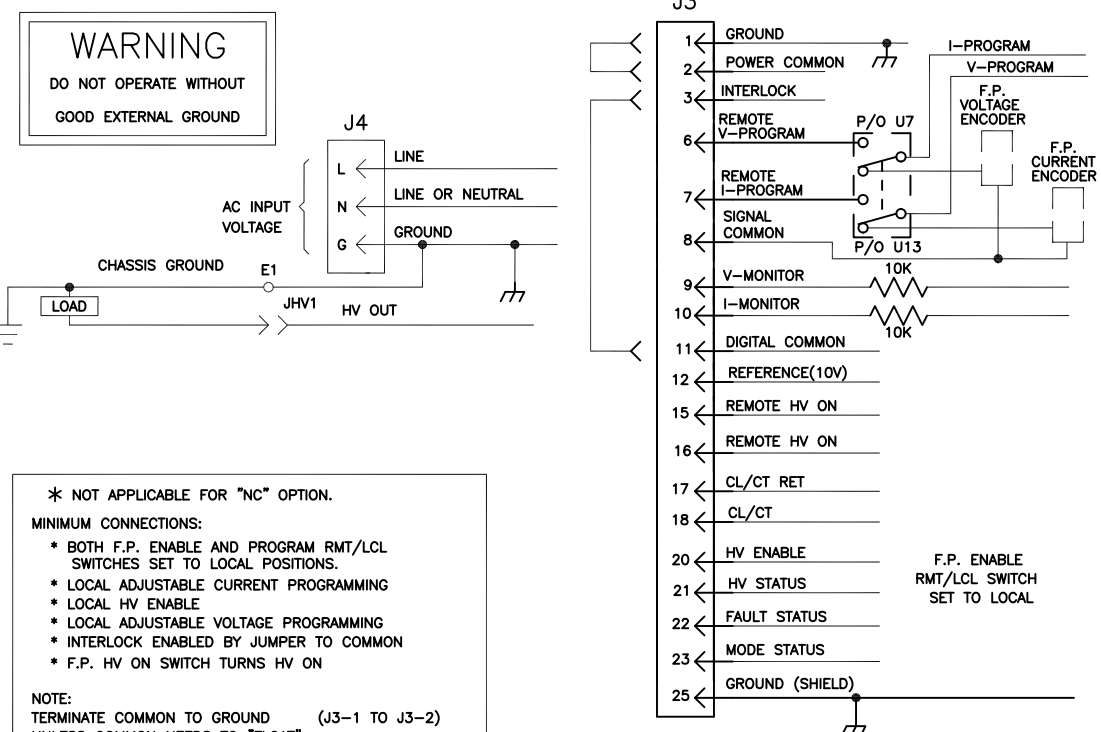
FIGURE 11



REV	BY	DESCRIPTION	DATE	APPROVED

MINIMUM NUMBER OF CONNECTIONS IN ORDER TO COMPLETELY ENABLE THE SUPPLY. \*

FIGURE 12

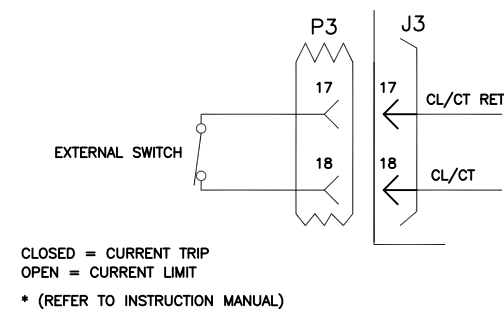


\* NOT APPLICABLE FOR "NC" OPTION.  
MINIMUM CONNECTIONS:  
\* BOTH F.P. ENABLE AND PROGRAM RMT/LCL SWITCHES SET TO LOCAL POSITIONS.  
\* LOCAL ADJUSTABLE CURRENT PROGRAMMING  
\* LOCAL HV ENABLE  
\* LOCAL ADJUSTABLE VOLTAGE PROGRAMMING  
\* INTERLOCK ENABLED BY JUMPER TO COMMON  
\* F.P. HV ON SWITCH TURNS HV ON

NOTE:  
TERMINATE COMMON TO GROUND (J3-1 TO J3-2)  
UNLESS COMMON NEEDS TO "FLOAT"  
FOR ISOLATION OR METERING PURPOSES.

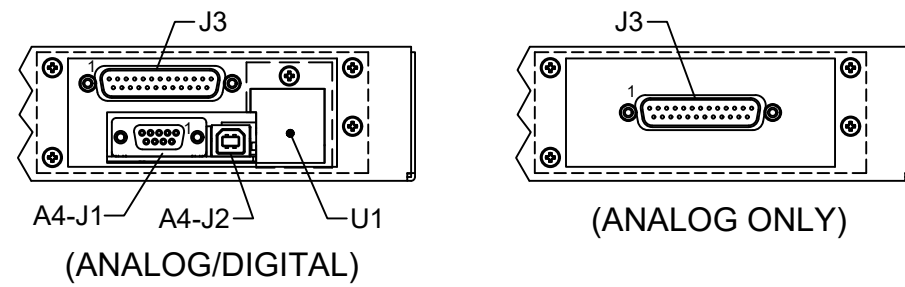
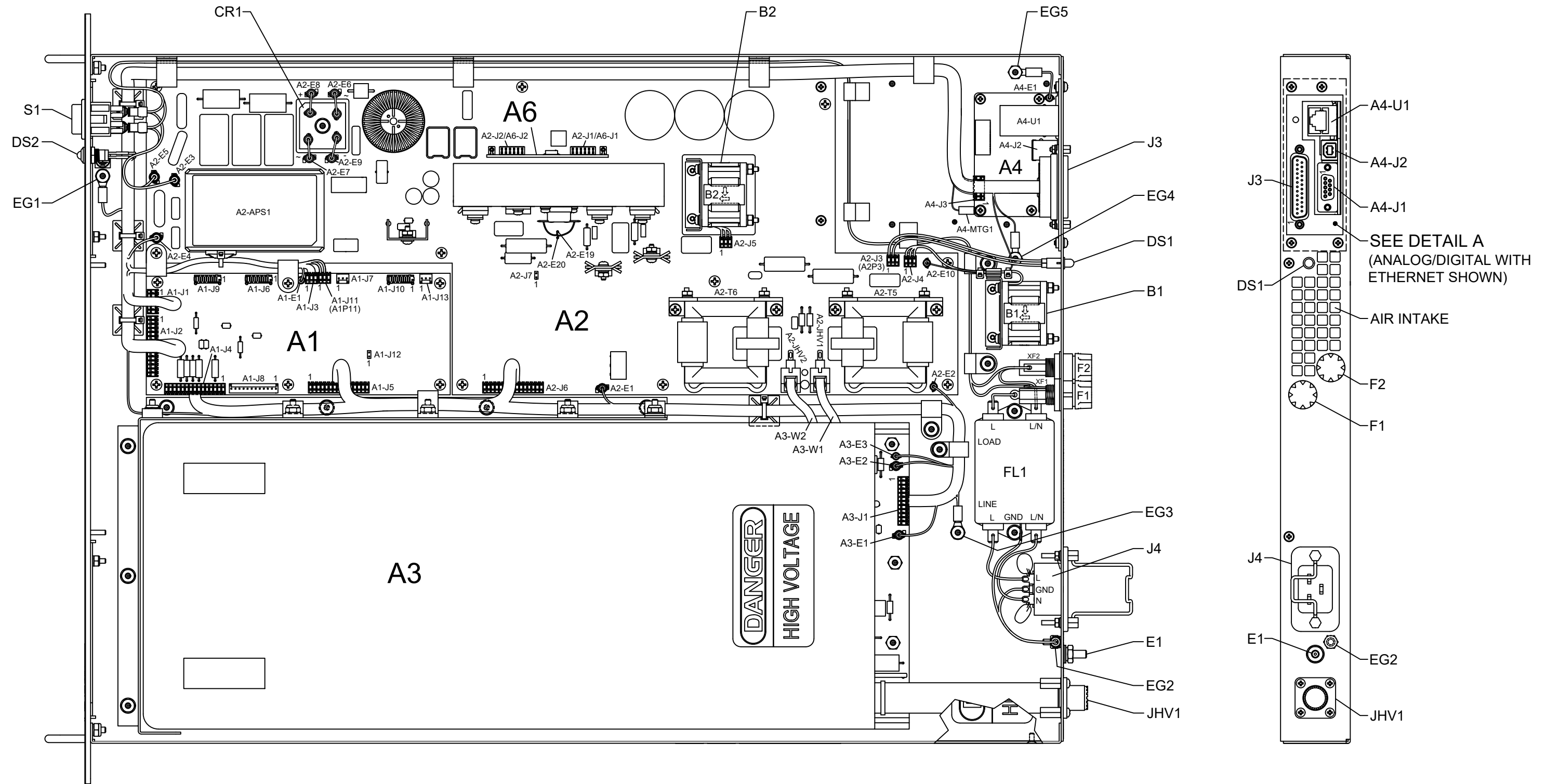
CL/CT

FIGURE 13



UNLESS OTHERWISE SPECIFIED DIMENSIONS ARE IN INCHES TOLERANCES ARE : DEC. XXX ± XX ± DEG. ±	FILE NO. EXTENSION \2004\09001-.DWG	<b>XP Power</b> 124 West Main Street, PO Box 317, High Bridge, NJ 08829-317 (908) 638-3800 Fax (908) 638-3700	
	APPROVALS	DATE	TITLE INTERFACE DIAGRAM FT SERIES
THIRD ANGLE PROJECTION DO NOT SCALE DRAWING	DRAWN TJP 122722	CHECKED <b>PKK</b> 010923	DWG.NO. 200409-001
	RELEASED	REV. NR	SCALE: NONE SHEET 2 OF 2



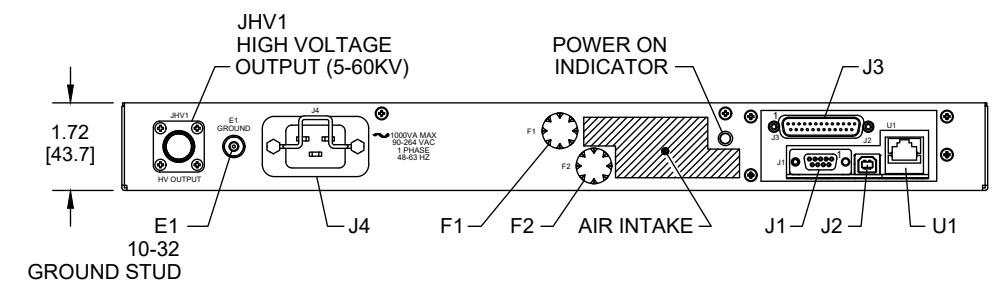
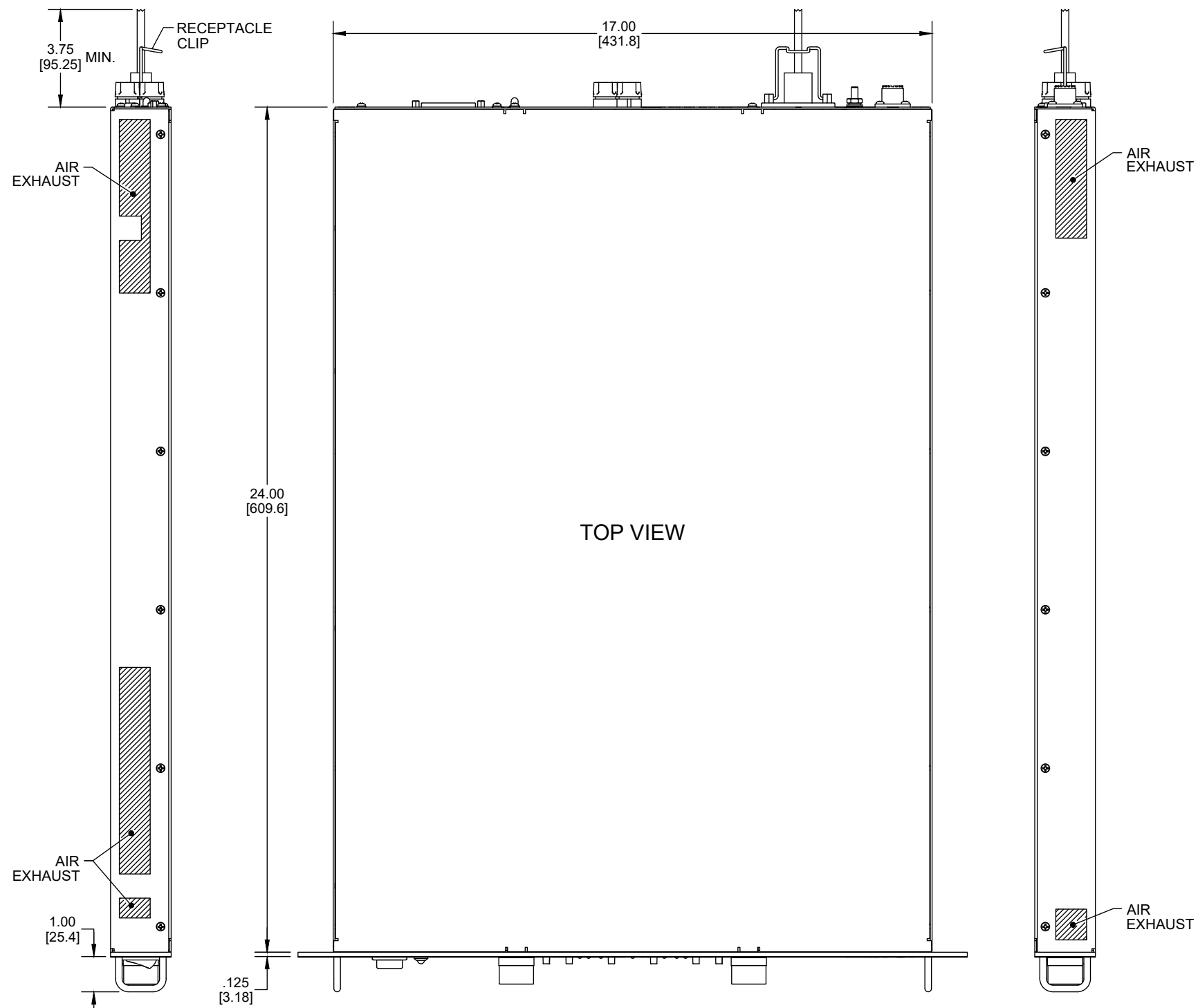


DETAIL A

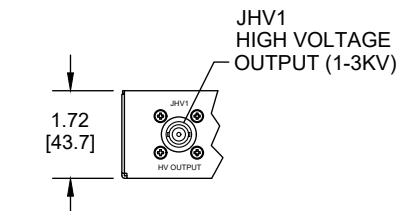
<small>UNLESS OTHERWISE SPECIFIED DIMENSIONS ARE IN INCHES TOLERANCES ARE :          DEC. .XXX ± .005    XX ± .01          DEG. ±</small>	FILE NO. EXTENSION	<small>124 West Main Street, PO Box 317, High Bridge, NJ 08829-317          (908) 638-3800 Fax (908) 638-3700</small>	
	V2017194002-1.DWG		
	APPROVALS		DATE
	TITLE PARTS PLACEMENT DRAWING		
DRAWN MAL	110122	AM1-FT	
CHECKED TJP	110122	8-60KV	
RELEASED			
DO NOT SCALE DRAWING			

DWG.NO.	201794-002	REV.	NR-1
SCALE:	NONE	SHEET	1 OF 1

REV	BY	DESCRIPTION	DATE	APPROVED



REAR VIEW



J1 LEGEND

- 1 DCD
- 2 RX
- 3 TX
- 4 DTR
- 5 COMMON
- 6 DSR
- 7 RTS
- 8 CTS

J2 LEGEND

- 1 +5V
- 2 D-
- 3 D+
- 4 COMMON

U1 OPTION LEGEND

- 1 TXD+
- 2 TXD-
- 3 RXD+
- 4 E POWER+
- 5 E POWER+
- 6 RXD-
- 7 E POWER-
- 8 E POWER-

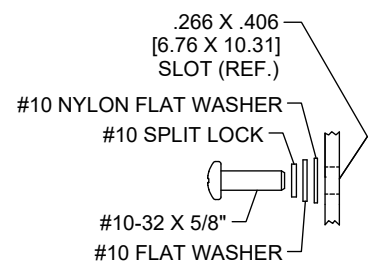
J3 LEGEND

- 1 GROUND
- 2 COMMON
- 3 INTERLOCK
- 4 RESERVED
- 5 RESERVED
- 6 VOLTAGE PROGRAM
- 7 CURRENT PROGRAM
- 8 COMMON
- 9 VOLTAGE MONITOR
- 10 CURRENT MONITOR
- 11 COMMON
- 12 REFERENCE
- 13 RESERVED
- 14 RESERVED
- 15 REMOTE HV ON
- 16 REMOTE HV ON
- 17 CL/CT RET
- 18 CL/CT
- 19 RESERVED
- 20 HV ENABLE
- 21 HV STATUS
- 22 FAULT STATUS
- 23 MODE STATUS
- 24 ARC/INTERLOCK STATUS
- 25 GROUND

J4: AC INPUT, IEC 60320 C20  
 1000VA MAX  
 90-264 VAC  
 48-63 HZ  
 1 PHASE

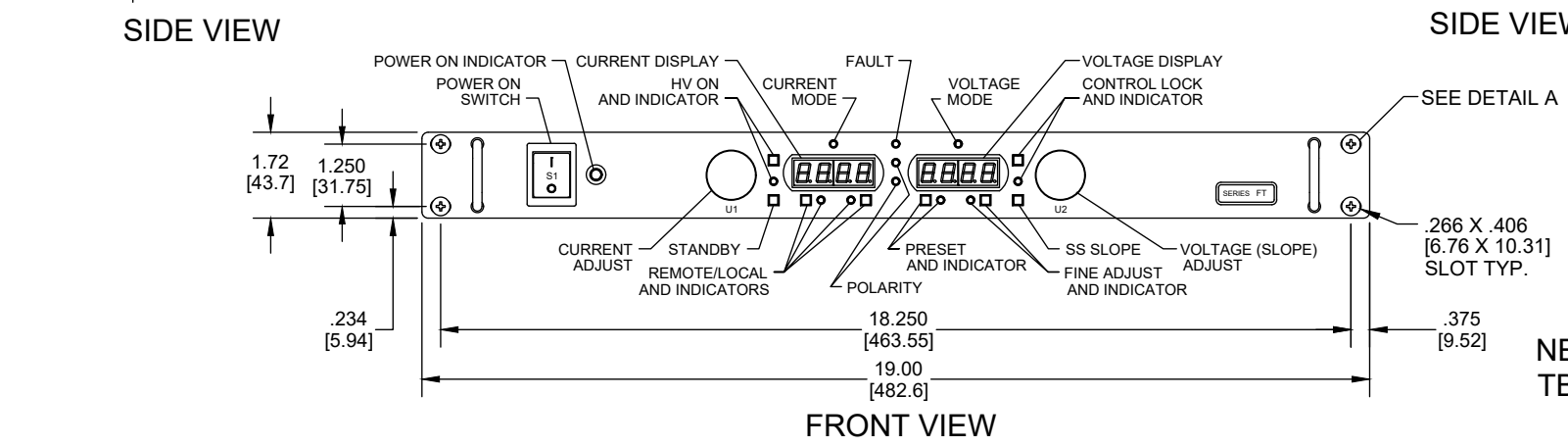
JHV1: HV OUTPUT  
 1-3 KV KINGS SHV 1704-1 OR EQUIVALENT  
 5-60KV AMPHENOL 83-1R-RFX OR EQUIVALENT

E1: 10-32 GROUND STUD



DETAIL A

TYP. 4 PLCS.



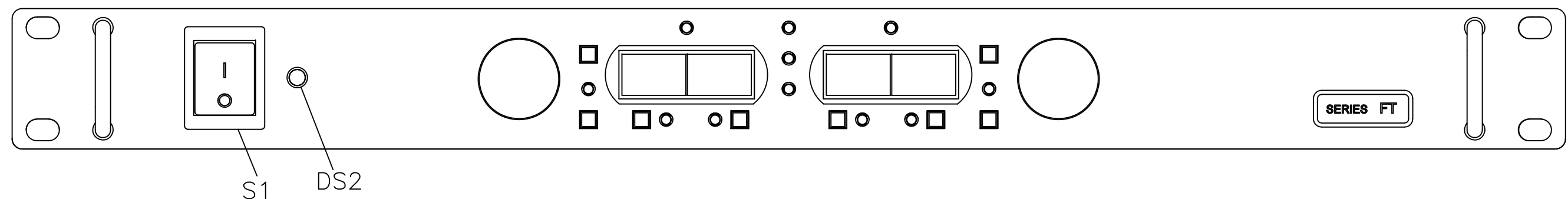
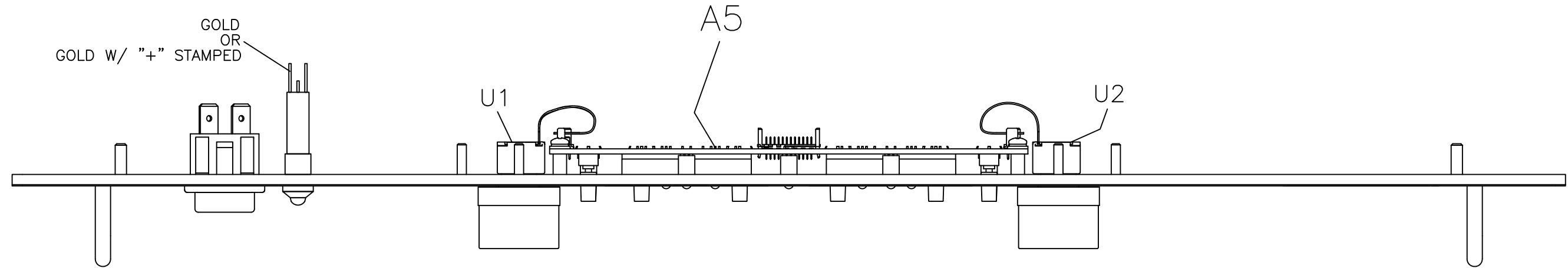
FRONT VIEW

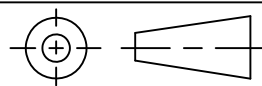

IN [MM]  
 NET WEIGHT: TBD.

UNLESS OTHERWISE SPECIFIED DIMENSIONS ARE IN INCHES TOLERANCES ARE : DEC. XXX <sup>+</sup> <sub>-</sub> XX <sup>+</sup> <sub>-</sub> DEG. <sup>+</sup> <sub>-</sub>	FILE NO. EXTENSION		124 West Main Street, PO Box 317, High Bridge, NJ 08829-317 (908) 638-3800 Fax (908) 638-3700
	\2017\95001-.DWG		
	APPROVALS	DATE	
	DRAWN MAL	011123	
THIRD ANGLE PROJECTION DO NOT SCALE DRAWING	CHECKED	PKK 011923	TITLE OUTLINE & INSTALLATION AM1-FT SERIES
	RELEASED		
		DWG.NO.	REV.
		B 201795-001	NR
		SCALE: NONE	SHEET 1 OF 1



REV	BY	DESCRIPTION	DATE	APPROVED
A	BB	ECN 12324: DS2 MODEL REVISED	041824	PKK



UNLESS OTHERWISE SPECIFIED DIMENSIONS ARE IN INCHES TOLERANCES ARE : DEC. XXX ±    XX ± DEG. ±  THIRD ANGLE PROJECTION DO NOT SCALE DRAWING	FILE NO.    EXTENSION \2017\96002A.DWG	 124 West Main Street, PO Box 317, High Bridge, NJ 08829-317 (908) 638-3800 Fax (908) 638-3700	
	APPROVALS    DATE DRAWN    TJP    110122 CHECKED    JM    110222 RELEASED	TITLE    PARTS PLACEMENT DWG. FRONT PANEL AFP-FT	
	DWG.NO.    REV. C    201796-002    A	SCALE: NONE	SHEET 1 OF 1