

400 Watts

SDL Series



- Single & Dual Outputs
- Up to 700 W Peak Power
- Fan Fail & Power Good Signals
- Variable Speed Fan
- Low Leakage Current Option
- Fits 1U Applications
- 3 Year Warranty

Specification

Input

Input Voltage	• 90-264 VAC
Input Frequency	• 47-63 Hz
Input Current	• 6 A at 90 VAC, 2.5 A at 230 VAC
Inrush Current	• Max 70 A at 230 VAC, 35 A at 115 VAC, cold start
Power Factor	• EN61000-3-2 class A, >0.9
Earth Leakage Current	• <1.5 mA at 264 VAC, option '-L' 500 μ A at 240 VAC
Input Protection	• T8 A/250 V fuse

Output

Output Voltage	• See tables
Output Voltage Trim	• $\pm 5\%$ on V1 (V2 of dual output models will track by same % of adjustment)
Initial Set Accuracy	• $\pm 1\%$
Minimum Load	• 1% on single output models, 10% on both output of dual output models in order to maintain ripple & noise and regulation specifications
Start Up Delay	• 1.5 s max at 115 VAC
Start Up Rise Time	• 50 ms typical
Hold Up Time	• 16 ms min at 75% of full load at 115 VAC
Line Regulation	• $\pm 0.5\%$
Load Regulation	• $\pm 1\%$ for single outputs, $\pm 3\%$ V1, $\pm 7\%$ V2 for dual outputs (except PD0512 version: $\pm 5\%$ on V1 and $\pm 10\%$ on V2)
Over/Undershoot	• 5% max
Transient Response	• $\pm 5\%$ max deviation, recovery to within 1% in 500 μ s for a 50% load change
Ripple & Noise	• 1% pk-pk (see note 3)
Overvoltage Protection	• <130% on V1 recycle AC input to reset
Overload Protection	• 110-140%
Short Circuit Protection	• Trip & restart, auto recovery
Fan Supply	• <5V at 300mA with 1% load rising to 12-13 V at 300mA with full load. Not available on '-F' & '-E' versions with built-in fans
Remote On / Off	• Applying short circuit between inhibit pin and signal return turns output off.

General

Efficiency	• Single output: 88% typical Dual Output: 85% typical at 230 V & full load
Isolation	• 3000 VAC Input to Output, 1500 VAC Input to Ground, 250 VDC Output to Ground
Switching Frequency	• PFC, 68 kHz PFC, PWM: 55 kHz for single output, & PD1224, 48 kHz for other parts.
Power Density	• 11.11 W/In ³
Signals	• Fan Fail & Power Good
MTBF	• >100 kHrs to MIL-HDBK-217F, at 25 °C GB

Environmental

Operating Temperature	• 0 °C to +70 °C, derate at 2.5%/°C from +50 °C to +70 °C
Storage Temperature	• -20 °C to +85 °C
Operating Humidity	• 5-90%, non-condensing
Cooling	• '-F' & '-E' versions have built-in variable speed fans, all other models require 15 CFM
Operating Altitude	• 3000 m
Shock	• 30 g, 11ms half sine, 6 axes
Vibration	• 2 g, 10-200 Hz, 3 axes

EMC & Safety

Emissions	• EN55032 Level B conducted & radiated
Harmonic Currents	• EN61000-3-2 class A EN61000-3-2 class C for loads $\geq 30\%$
Voltage Flicker	• EN61000-3-3
ESD Immunity	• EN61000-4-2, level 3 Perf Criteria A
Radiated Immunity	• EN61000-4-3, 3 V/m Perf Criteria A
EFT/Burst	• EN61000-4-4, level 2 Perf Criteria A
Surge	• EN61000-4-5, installation class 3 Perf Criteria A
Conducted Immunity	• EN61000-4-6, 3V Perf Criteria A
Dips & Interruptions	• EN61000-4-11, 30% 10 ms, 60% 100 ms, 100% 5000 ms Perf Criteria A, B, B
Safety Approvals	• UL62368-1, CSA62368-1 via cUL, EN62368-1

Models and Ratings

Output Power		Voltage	Output 1			Output 2			Model Number	
Forced Air Cooled	Convection Cooled		Current			Voltage	Current			
			Forced Air	Convection	Peak ⁽¹⁾		Forced Air	Convection		Peak ⁽¹⁾
400 W	220 W	12 V	33.33 A	18.33 A	58.33 A				SDL400PS12	
400 W	220 W	15 V	26.67 A	14.67 A	46.77 A				SDL400PS15 ⁽⁴⁾	
400 W	220 W	18 V	22.22 A	12.22 A	38.89 A				SDL400PS18 ⁽⁴⁾	
400 W	220 W	24 V	16.67 A	9.17 A	29.17 A				SDL400PS24	
400 W	220 W	28 V	14.29 A	7.86 A	25.00 A				SDL400PS28 ⁽⁴⁾	
400 W	220 W	36 V	11.11 A	6.11 A	19.44 A				SDL400PS36	
400 W	220 W	48 V	8.33 A	4.58 A	14.58 A				SDL400PS48	
400 W	220 W	54 V	7.41 A	4.07 A	12.96 A				SDL400PS54 ⁽⁴⁾	
400 W	220 W	60 V	6.67 A	3.67 A	11.61 A				SDL400PS60 ⁽⁴⁾	
320 W	180 W	+5 V	30.00 A	15.00 A	36.00 A	+12 V	20.83 A	13.33 A	20.00 A	SDL400PD0512 ⁽⁴⁾
320 W	180 W	+5 V	30.00 A	15.00 A	36.00 A	+24 V	10.42 A	6.67 A	10.00 A	SDL400PD0524 ⁽⁴⁾
320 W	180 W	+5 V	30.00 A	15.00 A	36.00 A	+48 V	5.21 A	3.33 A	5.00 A	SDL400PD0548 ⁽⁴⁾
400 W	200 W	+12 V	20.83 A	12.50 A	20.00 A	+24 V	10.42 A	8.33 A	10.00 A	SDL400PD1224

Notes

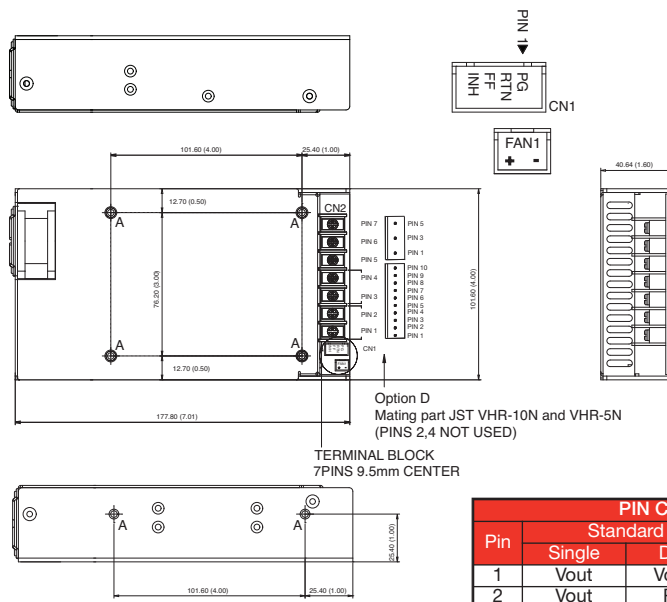
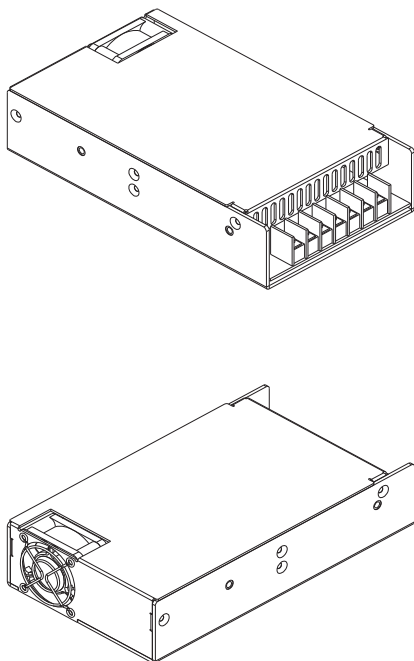
1. Peak load can be taken for 500 μ s. Average power not to exceed nominal power.
2. Add suffix '-L' to model number for optional 500 μ A leakage current⁽⁴⁾
3. Ripple & noise is measured using 0.1 μ F ceramic capacitor in parallel with 22 μ F electrolytic and 20 MHz bandwidth.
4. Available for OEM quantities, contact Sales.

Mechanical Options

- If no suffix is added to the model number the unit is a U-channel, convection-cooled ratings apply or external fan cooling required (15 CFM).
- Add suffix '-E' to the model number for an end fan cover (forced air cooled ratings apply).
- Add suffix '-F' to the model number for a top fan cover (forced air cooled ratings apply).
- Add suffix '-C' to the model number for a U-channel with vented cover. Convection cooled ratings apply or external fan cooling required (15 CFM).
- Add suffix 'D' to the model number for JST connector for OEM quantities, contact Sales.

Mechanical Details

Enclosed with End Fan (-E'Option)



A: Mounting hole
6 Places M4 x 0.7

Signal Connector mating part is JST XHP-4
Crimp terminals SXH-002T-P0.6

All dimensions are in inches (mm)
Weight: 800 g (1.76 lbs)
Tolerance: \pm 0.012 in (\pm 0.3 mm)
Max screw terminal torque: 15.7 lbs-in (1.8 Nm)
Max screw mount hole penetration : 0.08 (2.0)

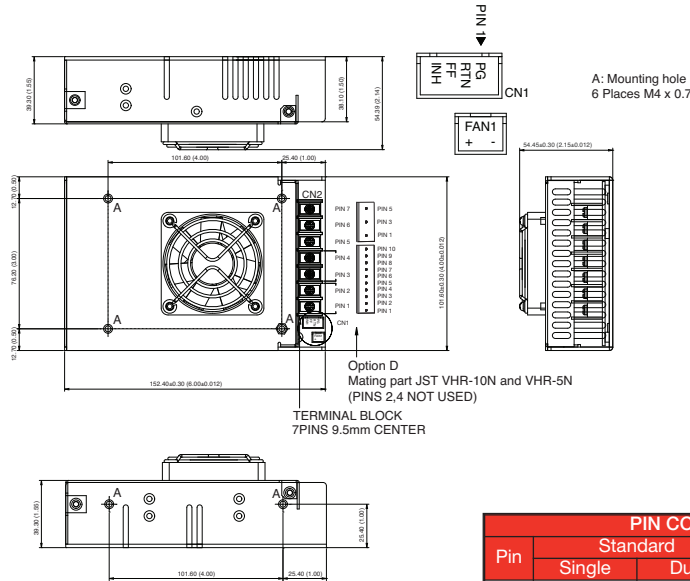
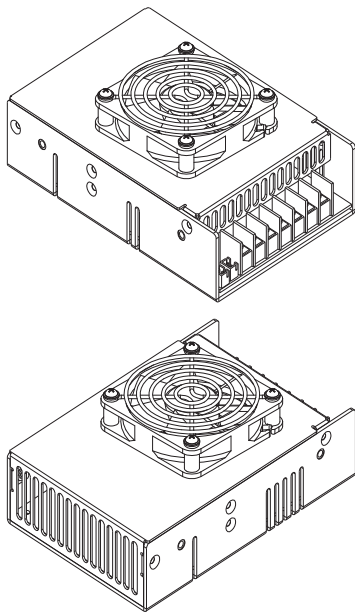
5 PIN AC INPUT CONNECTIONS		
Pin	JST (Option D)	
	Single	Dual
1	Ground	Ground
3	Neutral	Neutral
5	Live	Live

Pin	PIN CONNECTIONS			
	Standard		JST (Option D)	
	Single	Dual	Single	Dual
1	Vout	Vout1	Vout	Vout1
2	Vout	Rtn	Vout	Vout1
3	Rtn	Rtn	Vout	Vout1
4	Rtn	Vout2	Vout	Rtn
5	Ground	Ground	Vout	Rtn
6	Neutral	Neutral	Rtn	Rtn
7	Live	Live	Rtn	Rtn
8			Rtn	Rtn
9			Rtn	Vout2
10			Rtn	Vout2



Mechanical Details

Enclosed with Top Fan (+F'Option)



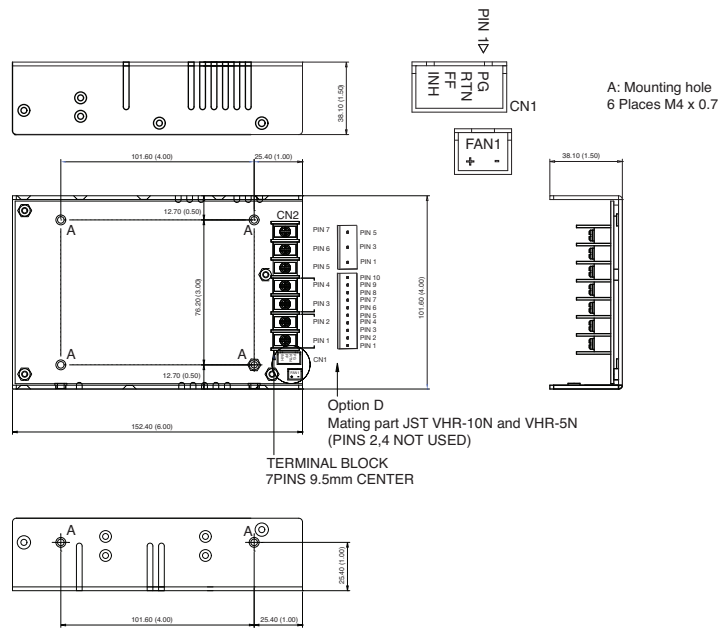
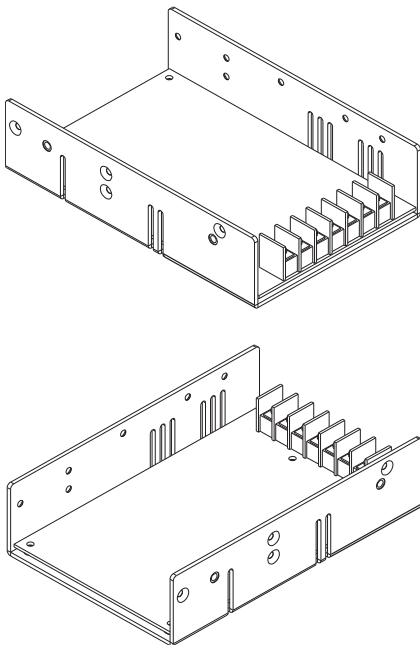
Signal Connector mating part is JST XHP-4
Crimp terminals SXH-002T-P0.6

All dimensions are in inches (mm)
Weight: 770 g (1.70 lbs)
Tolerance: ±0.012 in (±0.3 mm)
Max screw terminal torque: 15.7 lbs-in (1.8 Nm)
Max screw mount hole penetration : 0.08 (2.0)

5 PIN AC INPUT CONNECTIONS JST (Option D)		
Pin	Single	Dual
1	Ground	Ground
3	Neutral	Neutral
5	Live	Live

Pin	Standard		JST (Option D)	
	Single	Dual	Single	Dual
1	Vout	Vout1	Vout	Vout1
2	Vout	Rtn	Vout	Vout1
3	Rtn	Rtn	Vout	Vout1
4	Rtn	Vout2	Vout	Rtn
5	Ground	Ground	Vout	Rtn
6	Neutral	Neutral	Rtn	Rtn
7	Live	Live	Rtn	Rtn
8			Rtn	Rtn
9			Rtn	Vout2
10			Rtn	Vout2

U-Channel



Signal Connector mating part is JST XHP-4
Fan Connector mating part is JST XHP-2, Crimp terminals SXH-002T-P0.6

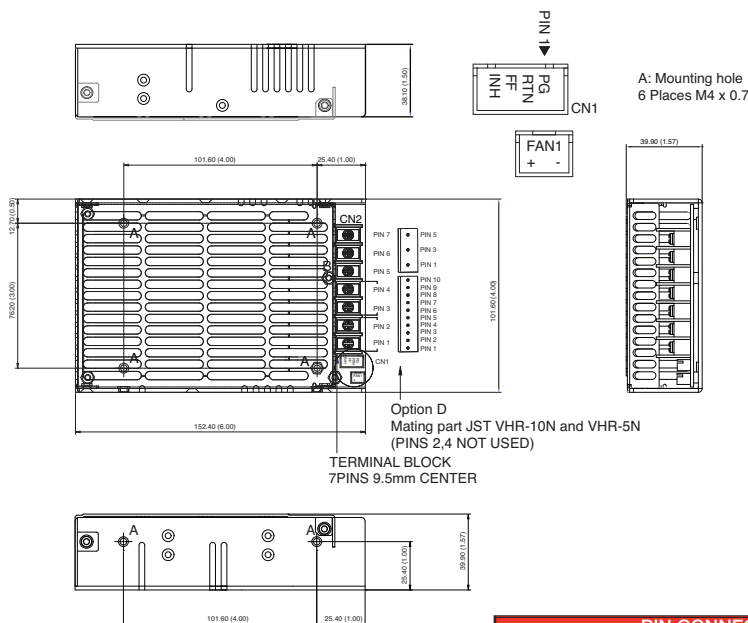
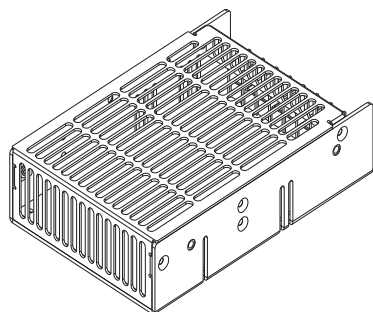
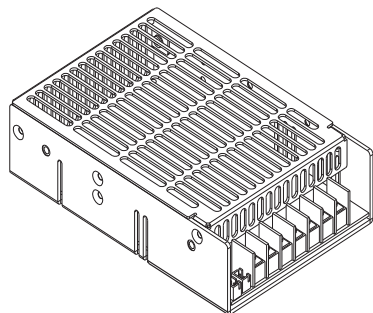
All dimensions are in inches (mm)
Weight: 680 g (1.50 lbs)
Tolerance: ±0.012 in (±0.3 mm)
Max screw terminal torque: 15.7 lbs-in (1.8 Nm)
Max screw mount hole penetration : 0.08 (2.0)

5 PIN AC INPUT CONNECTIONS JST (Option D)		
Pin	Single	Dual
1	Ground	Ground
3	Neutral	Neutral
5	Live	Live

Pin	Standard		JST (Option D)	
	Single	Dual	Single	Dual
1	Vout	Vout1	Vout	Vout1
2	Vout	Rtn	Vout	Vout1
3	Rtn	Rtn	Vout	Vout1
4	Rtn	Vout2	Vout	Rtn
5	Ground	Ground	Vout	Rtn
6	Neutral	Neutral	Rtn	Rtn
7	Live	Live	Rtn	Rtn
8			Rtn	Rtn
9			Rtn	Vout2
10			Rtn	Vout2

Mechanical Details

U-Channel with cover (±C'Option)



Signal Connector mating part is JST XHP-4
 Fan Connector mating part is JST XHP-2, Crimp terminals SXH-002T-P0.6

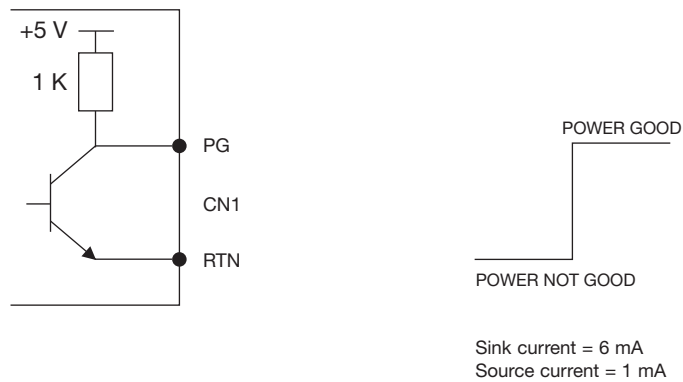
All dimensions are in inches (mm)
 Weight: 720 g (1.59 lbs)
 Tolerance: ±0.012 in (±0.3 mm)
 Max screw terminal torque: 15.7 lbs-in (1.8 Nm)
 Max screw mount hole penetration : 0.08 (2.0)

5 PIN AC INPUT CONNECTIONS		
Pin	JST (Option D)	
	Single	Dual
1	Ground	Ground
3	Neutral	Neutral
5	Live	Live

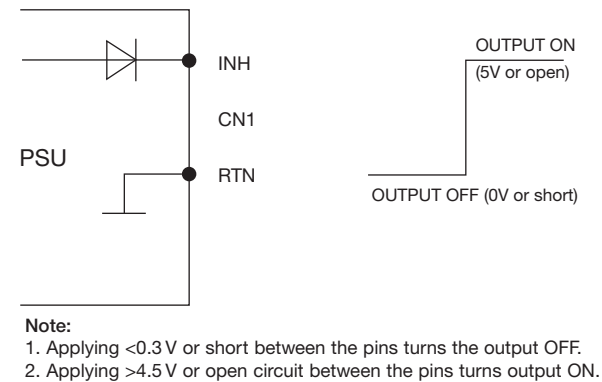
Pin	Standard		JST (Option D)	
	Single	Dual	Single	Dual
1	Vout	Vout1	Vout	Vout1
2	Vout	Rtn	Vout	Vout1
3	Rtn	Rtn	Vout	Vout1
4	Rtn	Vout2	Vout	Rtn
5	Ground	Ground	Vout	Rtn
6	Neutral	Neutral	Rtn	Rtn
7	Live	Live	Rtn	Rtn
8			Rtn	Rtn
9			Rtn	Vout2
10			Rtn	Vout2

Application Notes

Power Good



Remote On / Off



Fan Fail

