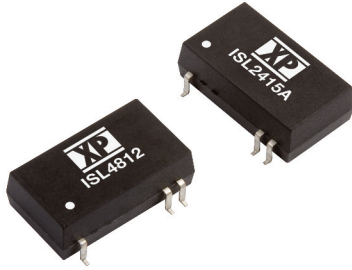


1.5 Watts

ISL Series



- Single & Dual Regulated Outputs
- 4:1 Input Range
- SMD Package
- Industry Standard Pinout
- 1500 VDC Isolation
- Short Circuit Protection
- 3 Year Warranty

Specification

Input

- Input Voltage Range**
 - 24 V (9-36 VDC)
 - 48 V (18-72 VDC)
- Input Reverse Voltage Protection**
 - None
- Input Surge**
 - 24 V: 40 VDC for 100 ms
 - 48 V: 80 VDC for 100 ms

Output

- Output Voltage**
 - See table
- Minimum Load**
 - 10%⁽¹⁾
- Line Regulation**
 - ±0.2% typical
- Load Regulation**
 - ±0.5% typical
- Setpoint Accuracy**
 - ±1%/±3% typical, positive/negative output
- Ripple & Noise**
 - 100 mV pk-pk 20 MHz bandwidth
- Temperature Coefficient**
 - 0.03%/°C
- Short Circuit Protection**
 - Continuous, automatic recovery

General

- Efficiency**
 - See table
- Isolation Voltage**
 - 1500 VDC
- Isolation Resistance**
 - 10⁹ Ω
- Isolation Capacitance**
 - 1000 pF typical
- Switching Frequency**
 - 550 kHz typical at nominal input, full load
- MTBF**
 - >1 Mhrs to MIL-HDBK-217F at 25 °C, GB
- Recommended Solder Profile**
 - IPC/JEDEC J-STD-020D.1

Environmental

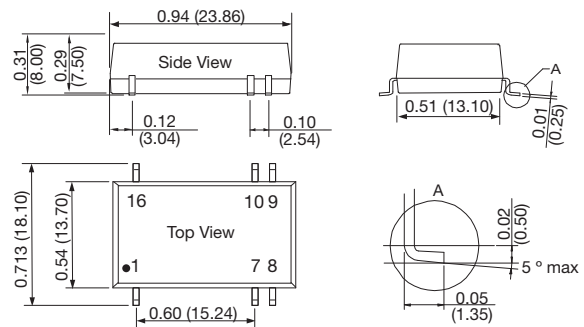
- Operating Temperature**
 - -40 °C to +85 °C, derate from 100% load at 70 °C to 0% load at 100 °C
- Storage Temperature**
 - -55 °C to +125 °C
- Case Temperature**
 - 100 °C max
- Cooling**
 - Convection-cooled
- Lead Temperature**
 - 240 °C, 0.06 in (1.5 mm) from case, 10 s

Notes

1. Operation at no load will not damage unit but it may not meet all specifications.

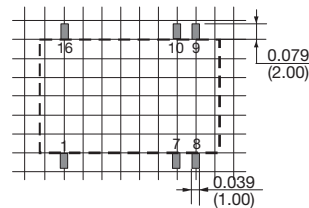
Input Voltage	Output Voltage	Output Current	Efficiency (typ)	Model Number ⁽⁵⁾
24 VDC	3.3 V	455 mA	72%	ISL2403A
	5.0 V	300 mA	76%	ISL2405A
	9.0 V	167 mA	78%	ISL2409A
	12.0 V	125 mA	79%	ISL2412A
	15.0 V	100 mA	80%	ISL2415A
	±5.0 V	±150 mA	74%	ISL2405
	±12.0 V	±63 mA	78%	ISL2412
48 VDC	±15.0 V	±50 mA	80%	ISL2415
	5.0 V	300 mA	76%	ISL4805A

Mechanical Details



Recommended footprint

Top view grid: 0.1 x 0.1 in (2.54 x 2.54 mm)



Pin	Single	Dual
1	-Vin	-Vin
7	N.C.	N.C.
8	N.C.	0 V
9	+Vo	+Vo
10	0 V	-Vo
16	+Vin	+Vin

N.C. Not connected

Notes

1. All dimensions in inches (mm)
2. Tolerance: ±0.010 (±0.25)
3. Weight: 0.011 lbs (5.2 g)
4. Pin tolerance: ±0.004 (±0.10 mm)
5. For optional tape & reel option add suffix -TR to the end of the p/n. Reel quantity = 200