

## 1500W CONVECTION COOLED

AC-DC POWER SUPPLIES

The HDS1500 series offers users both output voltage and output current programming (0-105%) via resistance, voltage or I2C bus in a very high efficiency, high power density 1.5kW chassis mount package. Measuring just 12.32" x 2.5" x 5.0", the HDS1500 also features active current sharing, remote on/off, remote sense and a power OK signal. The standby output is available whenever the mains supply is present and can be user selected as either 5V at 0.5A or 9V at 0.3A.



### Features

- High Efficiency up to 92%
- High Power Density
- Programmable Output Voltage (0-105%)
- Programmable Output Current (0-105%)
- Parallel Operation
- Fully Featured Signals & Controls
- 3 Year Warranty

### Applications



Industrial Electronics



Lasers



LED Heating



Robotics

### Dimensions

12.32" x 2.50" x 5.00" (294.5 x 63.5 x 127mm)

### Models & Ratings

Model Number	Output Voltage V1	Output Current		Efficiency <sup>(1)</sup>	Output Power
		Min	Max		
HDS1500PS12	12.0VDC	0.0A	125.0A	89%	1500W
HDS1500PS15	15.0VDC	0.0A	100.0A	90%	1500W
HDS1500PS24	24.0VDC	0.0A	62.5A	91%	1500W
HDS1500PS30	30.0VDC	0.0A	50.0A	92%	1500W
HDS1500PS36	36.0VDC	0.0A	41.7A	92%	1500W
HDS1500PS48	48.0VDC	0.0A	31.3A	92%	1500W
HDS1500PS60	60.0VDC	0.0A	25.0A	93%	1500W

#### Notes:

1. Measured with 230VAC input and full load.

## Input

Characteristic	Minimum	Typical	Maximum	Units	Notes & Conditions
Input Voltage	90		264	VAC	See derating curve
Input Frequency	47		63	Hz	
Power Factor		0.99/0.98			115/230VAC Full load
Input Current			18/9	A	115/230VAC
Inrush Current			30/60	A	115/230VAC
Earth Leakage Current			1.0	mA	264VAC/60Hz
Input Protection	F20 A/250 V internal fuse				

## Output

Characteristic	Minimum	Typical	Maximum	Units	Notes & Conditions
Output Voltage	12		60	VDC	See Models & Ratings table
Output Trim		±5.0		%	By potentiometer
Output Voltage Program	0		105	%	Of rated output
Output Current Program	0		105	%	Of rated output
Voltage Tolerance <sup>(1)</sup>			±2	%	Of rated output voltage <sup>(1)</sup>
Current Tolerance <sup>(1)</sup>			±3	%	Of rated output current <sup>(1)</sup>
Minimum Load	No minimum load required				
Start Up Delay			1	s	
Start Up Rise Time			120	ms	At full load
Hold Up Time	8			ms	
Line Regulation			±1	%	
Load Regulation			±1	%	V1, 0-100% load
			±3	%	5V standby, 0-100% load
Transient Response			1	%	For a 25% step load change
Ripple & Noise			1	% pk-pk	1.25% for 12V model. Measured with 20 MHz bandwidth and using 12" twisted pair wire terminated with 0.1µF ceramic capacitor and 47µF electrolytic.
Overvoltage Protection	Tracks output voltage. See application notes, recycle AC to reset				
Overtemperature Protection	Primary and secondary heatsinks monitored. Output shuts down, auto recovers				
Overload Protection		105		%	Rated power, constant current
Short Circuit Protection	Auto recovery				
Temperature Coefficient		±0.02		%/°C	0-50°C
Remote Sense	Compensates for 0.5V max voltage drop If remote sense is not required, local sense must be used				
Enable	Output must be enabled. See application notes, power supply is shipped with enable links fitted				
Current Share	5 supplies can share within 5%				
Standby Output	5V at 0.5A, present whenever AC is applied (9V at 0.3A, user selectable, by connecting 'VSET', Pin 8 of CN2 to 'GND')				

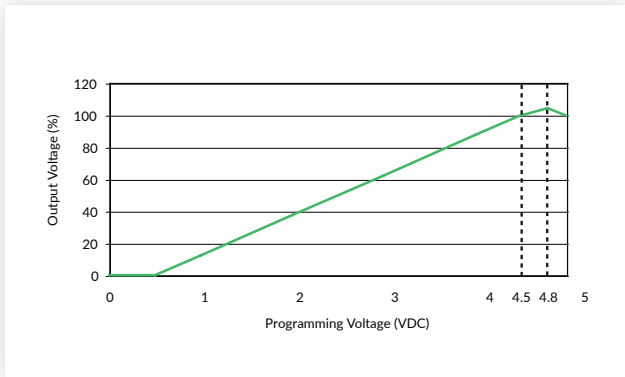
### Notes:

1. Tolerance includes setup time tolerance, line regulation and load regulation.

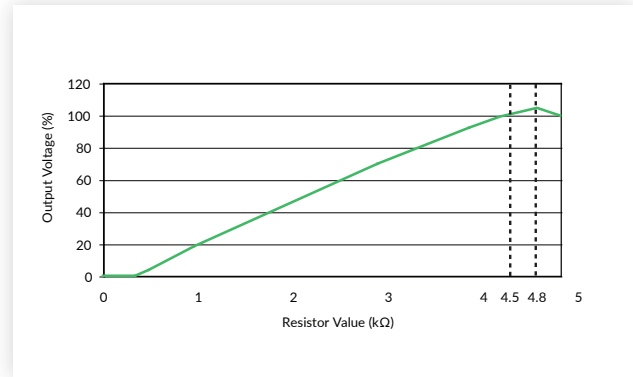
## Output

### Output Voltage Programming

#### Via External Voltage

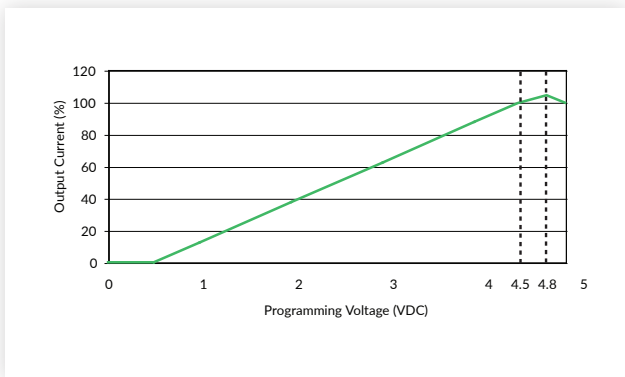


#### Via External Resistor

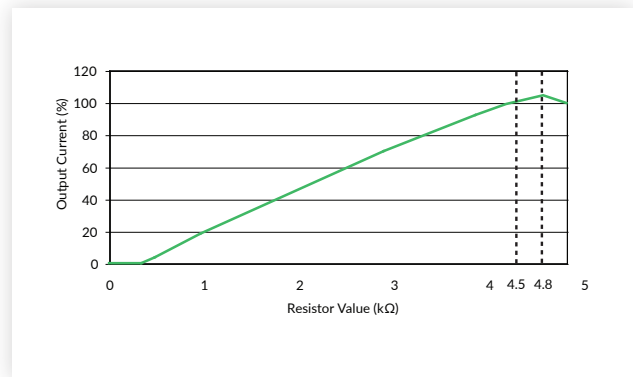


### Output Current Programming

#### Via External Voltage



#### Via External Resistor



## General

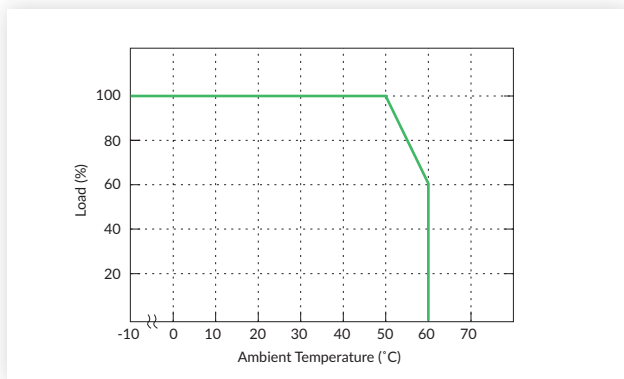
Characteristic	Minimum	Typical	Maximum	Units	Notes & Conditions
Efficiency	89		93	%	230VAC Full load
Isolation: Input to Output	3000			VAC	
Input to Ground	1500			VAC	
Output to Ground	500			VAC	
Switching Frequency	40	65	200	kHz	PFC converter
					PWM, variable
Power Density			9.7	W/in <sup>3</sup>	
Signals and Controls					Enable, Current Share, V Program, I Program, 5V Standby, Power OK
Mean Time Between Failure		115		khrs	MIL-HDBK-217F, Notice 2 25°C GB
Weight		5.7 (2.6)		lb (kg)	

## Environmental

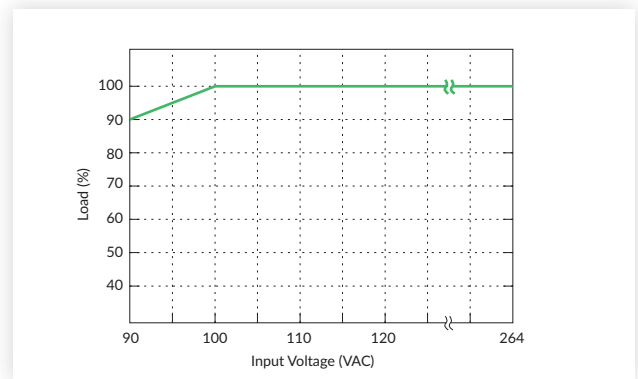
Characteristic	Minimum	Typical	Maximum	Units	Notes & Conditions
Operating Temperature	-25		+60	°C	Derate linearly from 100% load at 50°C to 60% load at 60°C
Storage Temperature	-40		+85	°C	
Cooling	Internal fan fitted, speed increases with load and internal temperature				
Humidity	20		90	%RH	
Vibration			2	g	10-500 Hz, 10 min/cycle, 60 min period for each axis, compliant to IEC68-2-6, IEC 68-2-64

### Derating Curve

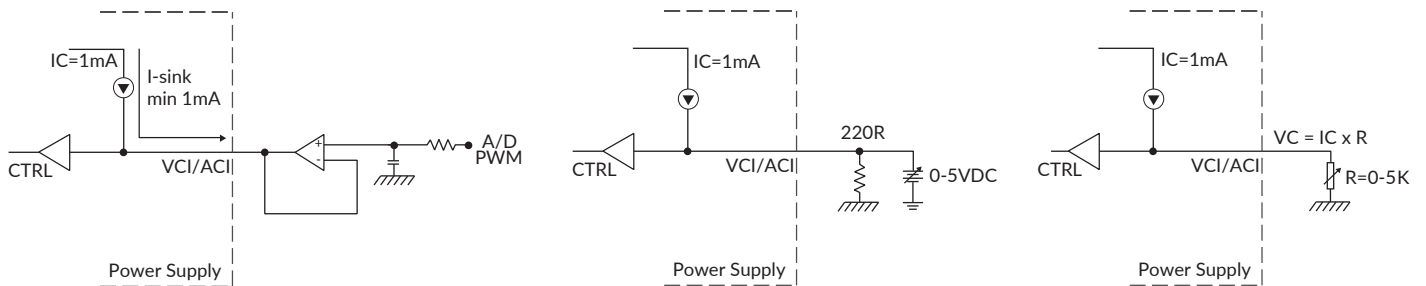
Thermal Derating Curve



Input Derating Curve



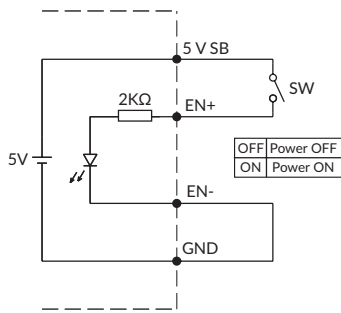
### External Programming Voltage Connection



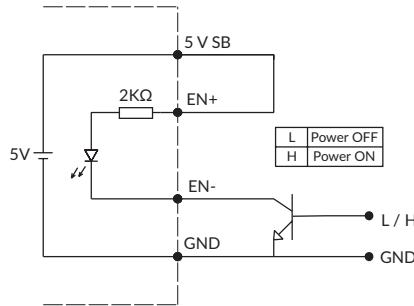
## Signals & Controls

LED Status	Output Status
Solid (Green)	DC Output OK
Solid (Orange)	DC Output OK in remote control mode
Slow Blink (Green)	Output Not Enabled
Fast Blink (Red)	Over Voltage
Solid (Red)	Over Loaded
Slow Blink (Red)	Over Temperature
Intermittent Blink (Red)	Fan Fail
Short & Long Blink (Red)	AUX Standby Failure

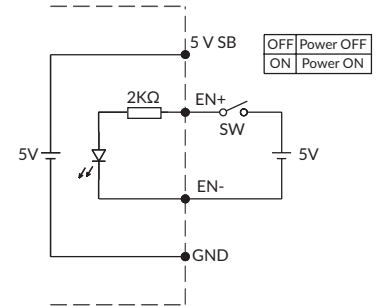
### Remote Enable



(A) Using internal 5 V standby



(B) Using external transistor



(C) Using external voltage source

\*GND shown in above diagram is referring to the GND of CN2, not the grounding from output power (NEG (-))

## EMC: Emissions

Phenomenon	Standard	Test Level	Notes & Conditions
Conducted	EN55032	Class A	
Radiated	EN55032	Class A	
Harmonic Currents	EN61000-3-2	Class A	
Voltage Flicker	EN61000-3-3		

## EMC: Immunity

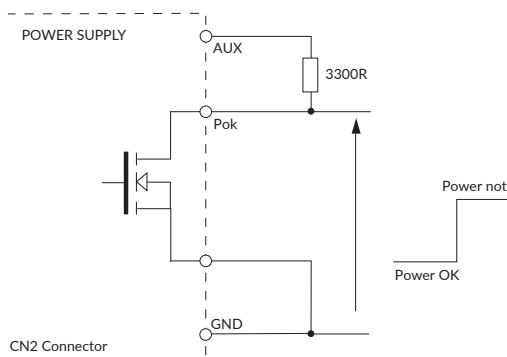
Phenomenon	Standard	Test Level	Criteria	Notes & Conditions
ESD Immunity	EN61000-4-2	2/3	A	±4kV contact, ±8kV air discharge
Radiated	EN61000-4-3	3	A	
EFT/Burst	EN61000-4-4	3	A	
Surges	EN61000-4-5	Installation class 3	A	
Conducted	EN61000-4-6	3	A	
Magnetic Field	EN61000-4-8	3	A	
Dips and Interruptions	EN55035	Dip 30% 500ms	A/B	High line/Low line
		Int >95% 10ms	A	
		Int >95% 5000ms	B	

## Safety Approvals

Certification	Standard	Notes & Conditions
CB	IEC62368-1	Audio/Video, Information and Communication Technology Equipment
UL	UL62368-1, CSA C22.2 No 62368-1-14	
EN	EN62368-1	
CE	Meets all applicable directives	
UKCA	Meets all applicable legislation	

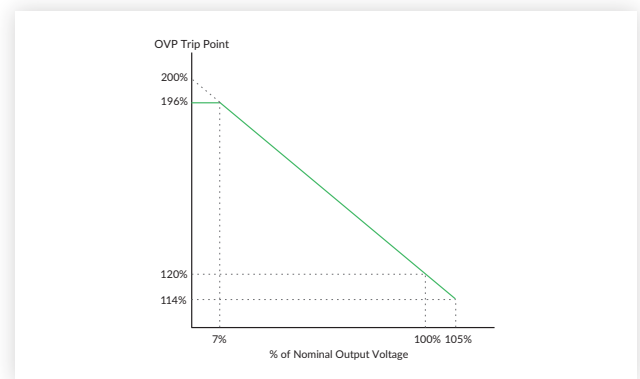
## Application Notes

### POK Signal



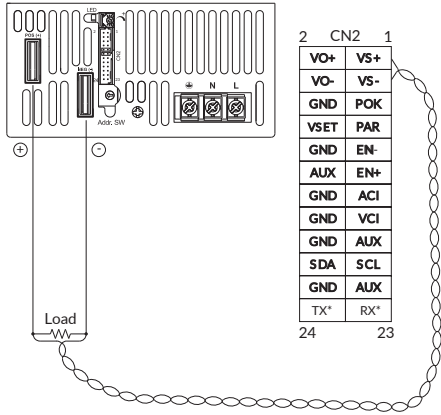
Open drain signal, low when PSU turns on  
 Maximum sink current: 20mA  
 Maximum drain voltage: 40V

### OVP Setting

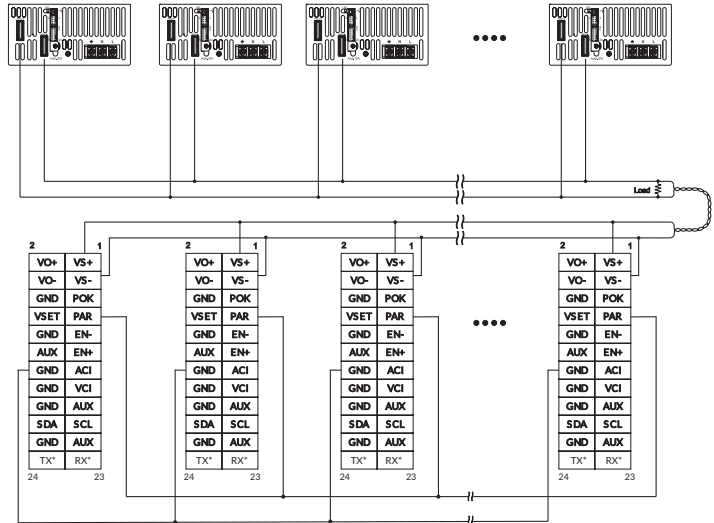


## Application Notes

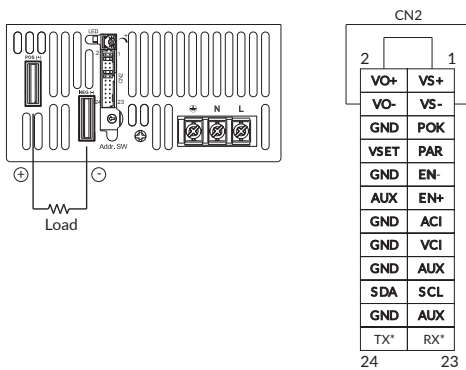
### Remote Sense



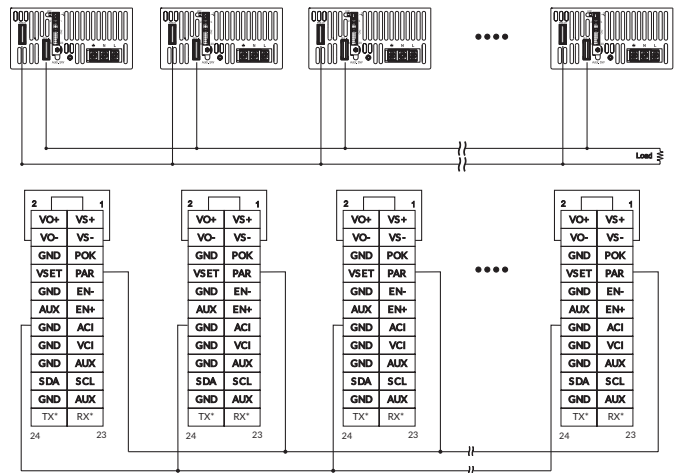
### Current Share with Remote Sensing



### Local Sense



### Current Share with Local Sensing



Must be used if remote sense is not required.

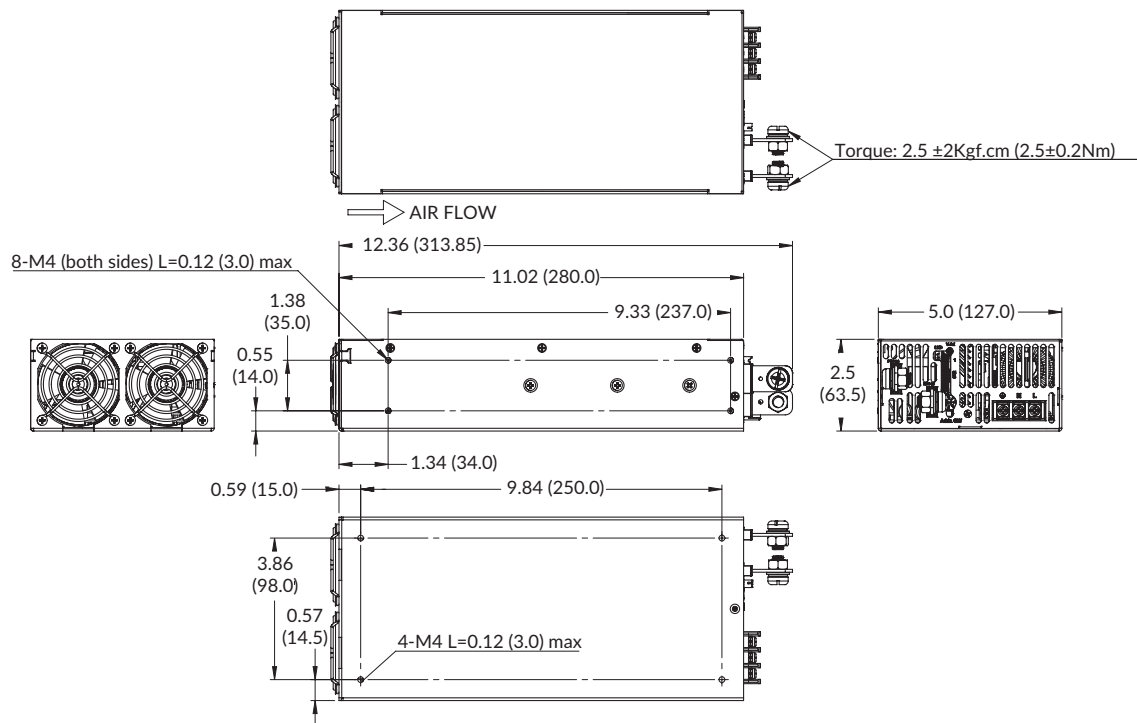
### Notes:

In parallel operation, it is possible that only one unit will operate if the load is less than 5% of the combined rated output load.

It is possible to have more than five units in parallel, contact sales for details.

\*Pin 23 and 24, Only usable with driver board "KIT-RS232-X" or "KIT-RS485-1"

## Mechanical Details



CN2 Control Pin Connections

Pin	Function	Description	Pin	Function	Description	Pin	Function	Description
1	VS+	Remote Sense (+)	9	EN-	Inhibit On/Off (-)	17	AUX	+5V/0.5 A or +9V/0.3 A Standby power
2	VO+	Positive Output Voltage	10	GND	Ground	18	GND	Ground
3	VS-	Remote Sense (-)	11	EN+	Inhibit On/Off (+)	19	SCL	I <sup>2</sup> C Serial Clock
4	VO-	Negative Output Voltage	12	AUX	+5V/0.5 A or +9V/0.3 A Standby power	20	SDA	I <sup>2</sup> C Serial Data
5	POK	Power OK	13	ACI	I Program	21	AUX	+5V/0.5 A or +9V/0.3 A Auxiliary power
6	GND	Ground	14	GND	Ground	22	GND	Ground
7	PAR	Parallel Operation Current Share	15	VCI	V Program	23	RX*	Receive
8	VSET	AUX Output Setting	16	GND	Ground	24	TX*	Transmit

### Notes:

1. All dimensions are in inches (mm).
2. Weight 5.7lb (2.6kg)
3. Maintain 2" (50mm) clear space at each end.
4. Mating connector CN2: Manufacturer: JST Housing: PHDR-24VS, Contacts:

SPHD-002T-P0.5 contacts (28-24 AWG)

5. Torque of mounting M4 screw: 1.27Nm (13.0kgf.cm)

\*Only usable with driver board "KIT-RS232-X" or "KIT-RS485-1"