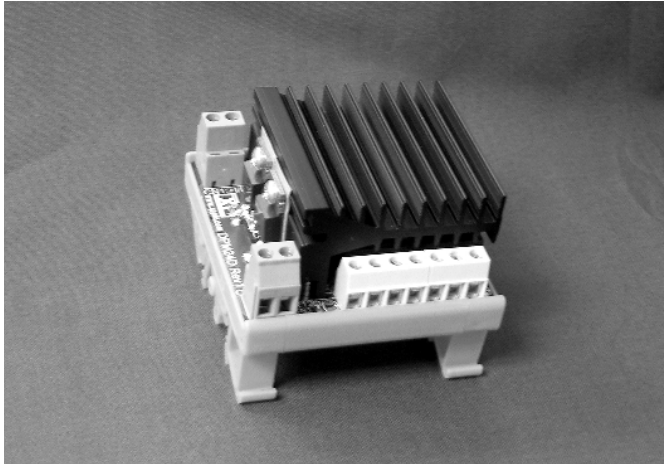


# Diode Protection Module

## Up To 60 A DPM24D Series

## THE XPERTS IN POWER



60 A Maximum Current

•  
DC OK Signal

•  
DIN Rail Mounting

•  
Parallel Operation

•  
24 VDC

### Specification

#### Input

Input Voltage Range • 18 to 32 VDC

#### Output

Output Voltage • Input voltage less diode volt drop (0.6 V drop max)

Output Current Rating • 30 A max per channel

DC Low Alarm Set Range • 18 to 30 V (user adjustable)

#### General

Relay Contacts • 1 pole changeover, 1 A 24 VDC

Screw Terminal Sizes • Power - suitable for 2.5 mm<sup>2</sup> cable, Alarm - suitable for 1.0 mm<sup>2</sup> cable

Mounting • DIN Rail

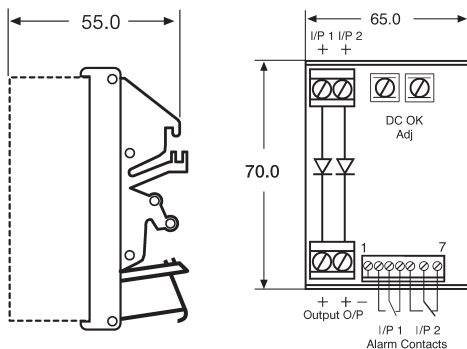
#### Environmental

Operating Temperature • 0 °C to +50 °C (+40 °C max ambient plus +10 °C rise inside enclosure)

Storage Temperature • -40 °C to +85 °C

Humidity • 90% non-condensing

### Mechanical Details



#### NOTES:

1. All dimensions in mm.
2. Weight 0.11 Kg.
3. Alarm contacts shown in de-energised state.

